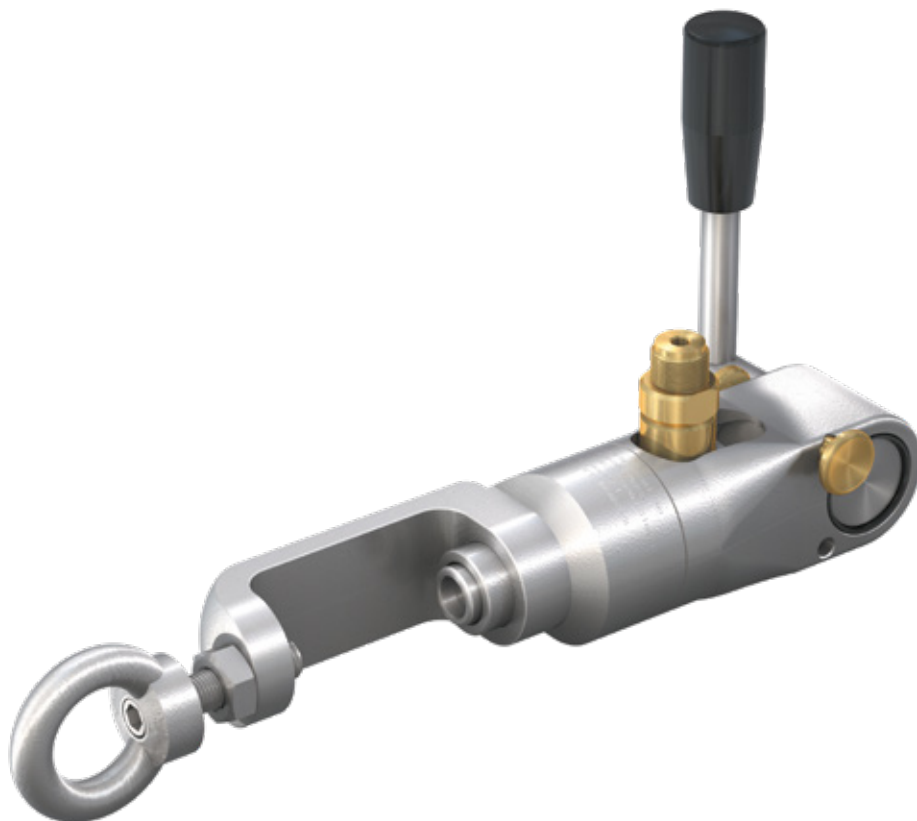


# Type **TW53**

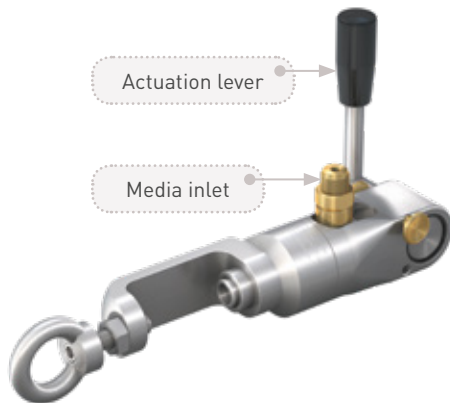
**WEH<sup>®</sup> Connector for filling of gas cylinders**

with acetylene and acetone



General

**DESCRIPTION**



**Features**

- Suitable for filling of acetylene and acetone
- Connection in seconds
- No hand tightening required
- Integrated shut-off valve
- Robust construction
- High-grade materials

The type TW53 quick connector introduces a new generation of connector systems for the industrial filling of acetylene and acetone for cylinder valves acc. to DIN 477 part 1 no. 3. Type TW53 is connected to the gas cylinder valve like a conventional filling device but eliminates screw tightening.

Simply place the TW53 quick connector around the cylinder valve, turn the actuation lever down and the pressure-tight connection is made.

For ease of operating an optional swivel joint is available to be mounted to the media inlet port.

**No additional valves required**

The integrated shut-off valve prevents the leakage of gas when connecting and disconnecting. An optional check valve prevents the loss of gas in case of damage to the filling valve (flame barrier). The amount of vented gas when disconnecting is always less than 1 cm<sup>3</sup> at 1 bar.

**Safety tested**

The type TW53 is BAM tested and meets the requirements of the technical regulations for acetylene plants (TRAC).

**Application**

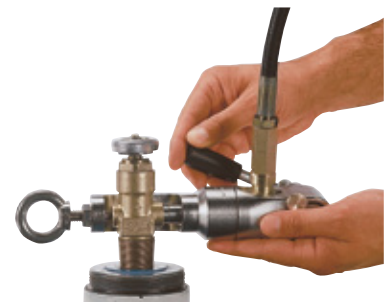
Quick connector for filling of gas cylinders with acetylene and acetone on connection acc. to DIN 477 part 1 no. 3

**TECHNICAL DATA**

Characteristic	Basic version
Pressure range	PN = 24 bar   PS = 30 bar   PT = 45 bar
Temperature range	+10 °C up to +60 °C
Connection A	Connection acc. to DIN 477 part 1 no. 3
Medium	Acetylene / acetone
Actuation	Manual actuation via actuation lever
Material	Corrosion resistant stainless steel, brass
Sealing material	EPDM
Registration	Detonative acetylene decomposition test up to 315 bar

Other designs on request

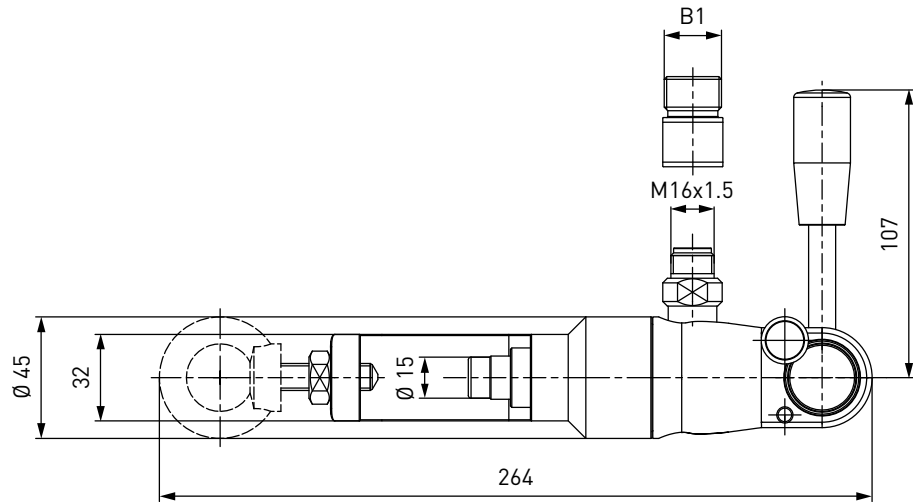
**Example of use:**



Ordering / Accessories

**ORDERING** | Quick connector TW53

approx. dimensions (mm)



Part No.	Description	Connection A	Inlet B1 (external thread)
<b>C1-4419*</b>	TW53	DIN 477 part 1 no. 3	G1/2"
<b>C1-80400**</b>	TW53	DIN 477 part 1 no. 3	G1/2"

\* with adaptor and integrated check valve

\*\* special connector for large valves (42x42) with adaptor and integrated check valve

Other connector sizes and versions on request.

Required information for ordering see page 7, catalogue no. 20.

**ACCESSORIES**

The following accessories are available for type TW53:

**Swivel joint TD1**

The TD1 swivel joint prevents twisting of the hose and enables the axial aligning of the connector.



Part No.	Description	Inlet B1 (external thread)	Connection B2 (internal thread)
<b>On request</b>	TD1	On request	On request

**Adaptors**

Adaptors with optional check valve for type TW53.

Part No.	Description	Thread (internal / external thread)
<b>W5176</b>	Adaptor with integrated check valve (flame barrier)	M16x1.5 / G1/2"
<b>E26-022M-G16</b>	Adaptor without integrated check valve	M16x1.5 / G1/2"

Other products

**OTHER PRODUCTS**

You will find more products in our current catalogue no. 20



Further information on our homepage  
[www.weh.com](http://www.weh.com)

**Abbreviations/Definition**

Explanation of abbreviations see technical appendix in the catalogue or [www.weh.com](http://www.weh.com)

**Safe product selection**

Our WEH® Products are designed to be operated by qualified professional users (insofar as WEH® Products are also designed to be operated by other users in individual cases, this is explicitly stated in the corresponding operating instructions). You alone are responsible for the selection of WEH® Products and their configuration according to the requirements of your system. In doing so, please particularly consider your intended use, your performance data, your material compatibility, your system concept and your system limits as well as your technical and legal requirements for operation, handling and maintenance. The quality and safety of WEH® Products is our highest priority. For this reason, WEH® Products may not be used outside the specifications in the relevant data sheets and product descriptions. We also strongly recommend that you refrain from using third-party spare parts or a combination of WEH® Products with unsuitable third-party products. You alone are responsible for reviewing the suitability of third-party products. WEH® Products and WEH® Spare parts comply with our quality and safety standards.

**Explanation on the Pressure Equipment Directive**

These WEH® Products are generally and exclusively classified as pressure accessories for piping in accordance with Article 2 (5) of the Pressure Equipment Directive 2014/68/EU. These WEH® Products may not be used (i) as safety accessories or (ii) for vessels as defined by the Pressure Equipment Directive 2014/68/EU. Therefore, the application of these WEH® Products must comply with their classification as pressure accessories for piping. The assessment with regard to a different classification can, however, be made on request.

**External change management**

WEH reserves the right to update, optimise and adjust its products continuously. This may result in corresponding changes of the product. Customers will be informed proactively or unsolicited by WEH only in individual cases about product updates, product optimisations and/or product adaptations that have been carried out. You are free to contact WEH at any time to request information about any product updates, product optimisations and/or product adjustments.

© All rights reserved, WEH GmbH. Any unauthorized use is strictly forbidden. Subject to alteration.  
 No liability will be assumed for any content. Herewith previous versions are no longer valid.

**» Contact**

For queries and further information, please do not hesitate to contact us.

Manufacturer:

**WEH GmbH Precision Connectors**

Josef-Henle-Str. 1  
 89257 Illertissen / Germany

Phone: +49 7303 9609-0

Email: [sales@weh.com](mailto:sales@weh.com)

[www.weh.com](http://www.weh.com)