

# Type **TW241**

**WEH<sup>®</sup> Quick connector for pressure and vacuum testing**  
of straight tubes (external tube  $\varnothing$  6.0 mm - 22.2 mm)



General

**DESCRIPTION**



**Merkmale**

- For connection onto straight tubes, sealing on the external diameter
- Self-retaining up to max. 70 bar
- Connection in seconds
- No hand tightening required
- WEH® Jaw locking mechanism
- No seal adjustment required
- Wide range of tube tolerances up to ± 0.25 mm
- High-grade materials

The WEH® TW241 Quick connector enables quick and easy leak testing of straight tubes of copper, steel or aluminium with an outer diameter of 6.0 to 22.2 mm. The connector is also suitable for underwater, pressure decay and helium testing.

The WEH® TW241 seals external diameters of straight tubes within seconds and bridges large tube tolerances of up to ± 0.25 mm with no operational adjustment of seals.

The WEH® Jaw locking mechanism provides maximum grip with minimum distortion of the test piece. There is no need for additional fixing. Operation is amazingly easy. Plug the WEH® Connector onto the tube, actuate the clamping lever and the pressure tight connection is made. An internal pressure support provides additional safety for the operator ensuring that disconnection is not possible until pressure has decreased to a safe value below 5 bar.

The WEH® TW241 is equipped with a chloroprene front seal. Other sealing materials on request. It is the customer's responsibility to clarify the media compatibility.

**Application**

Quick connector for pressure and vacuum testing of straight tubes (sealing on external tube diameter) as for example heat exchangers, pressure vessels, valves, transducers, compressors, condensers, evaporation coils, tubing systems, air conditioners, heating systems etc.

**TECHNICAL DATA**

Characteristics	Basic version
Nominal bore (DN)	4 to 6 mm, acc. to design
Max. allowable operating pressure PS	Vacuum up to 70 bar
Temperature range	+5 °C up to +80 °C
Leak rate	1 x 10 <sup>-3</sup> mbar x l/s
Max. allowable surface finish of test piece	Rz8 µm
Max. allowable material hardness of test piece	28 HRC
Material	Clamping jaws: corrosion-resistant stainless steel, hardened Housing: anodized aluminium
Sealing material	Front seal of chloroprene

Other designs on request

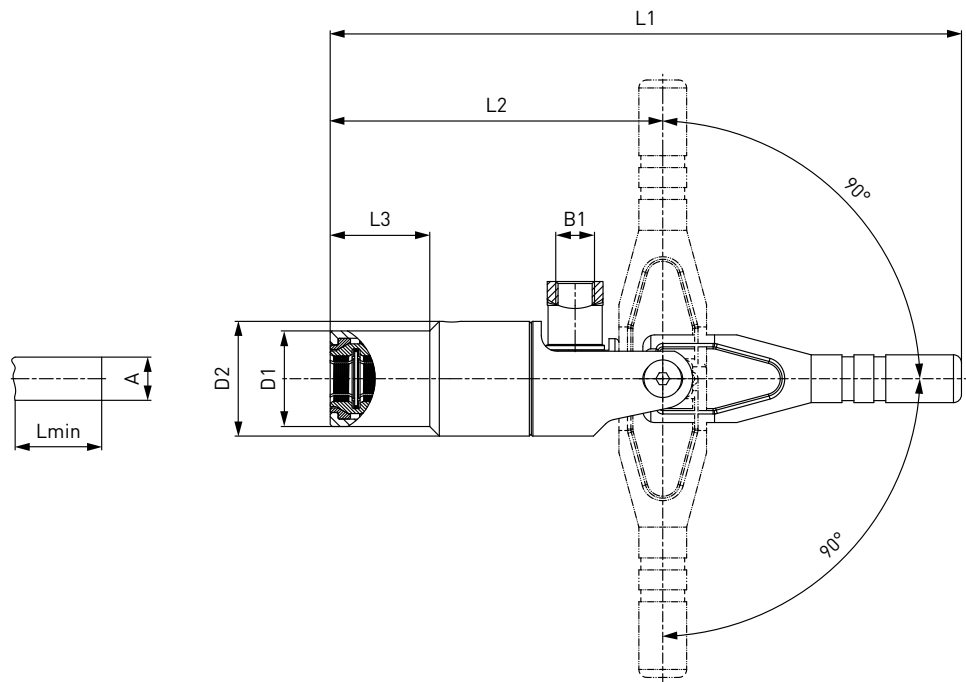
Example of use:



Ordering

**ORDERING** | WEH® TW241 Quick connector – body size 1

approx. dimensions (mm)



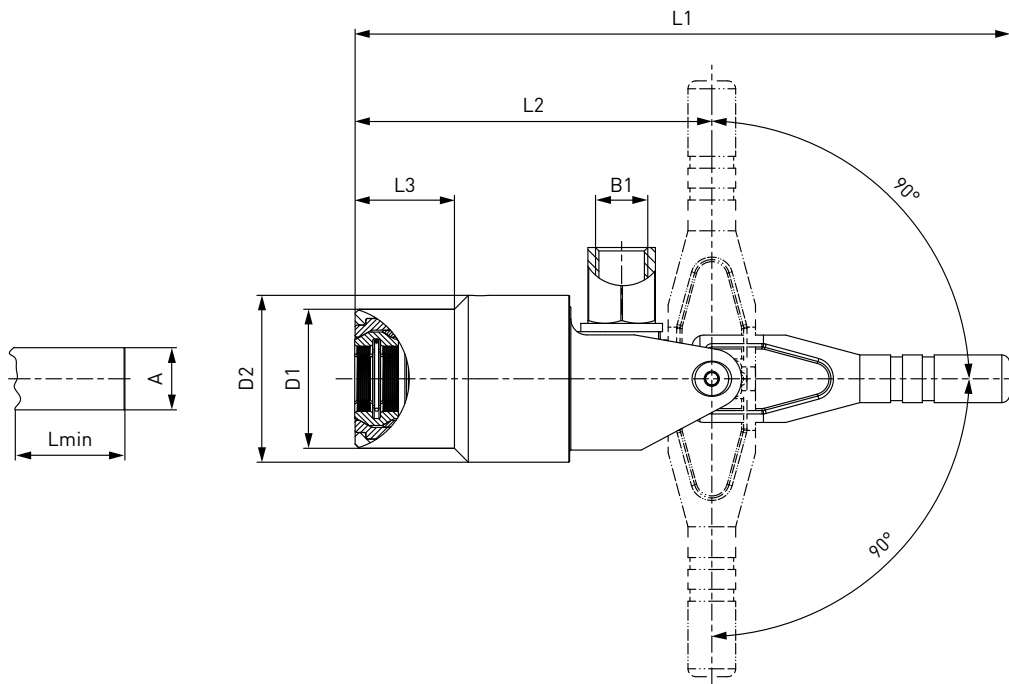
Part no.	Body size	Sealing range external tube Ø A ± 0.25	B1 (female thread)	D1	D2	L1	L2	L3	Lmin*	Replacement seal set (consisting of 5 front seals)
<b>C1-130646</b>	1	6.0	G1/8"	24	28.8	158.5	83.5	25	26.5	<b>B202B-130704</b>
<b>C1-130647</b>	1	6.35 (1/4")	G1/8"	24	28.8	158.5	83.5	25	26.5	<b>B202B-130705</b>
<b>C1-130654</b>	1	7.9 (5/16")	G1/8"	24	28.8	158.5	83.5	25	26.5	<b>B202B-130713</b>
<b>C1-130655</b>	1	8.0	G1/8"	24	28.8	158.5	83.5	25	26.5	<b>B202B-130714</b>
<b>C1-130661</b>	1	9.5 (3/8")	G1/8"	24	28.8	158.5	83.5	25	26.5	<b>B202B-130720</b>
<b>C1-130663</b>	1	10.0	G1/8"	24	28.8	158.5	83.5	25	26.5	<b>B202B-130722</b>

\* Lmin: minimum insertion length of test piece  
 When ordering, please state if testing reinforced fibre glass or plastic test pieces.  
 Other connection sizes on request

Ordering

**ORDERING** | WEH® TW241 Quick connector – body size 2

approx. dimensions (mm)



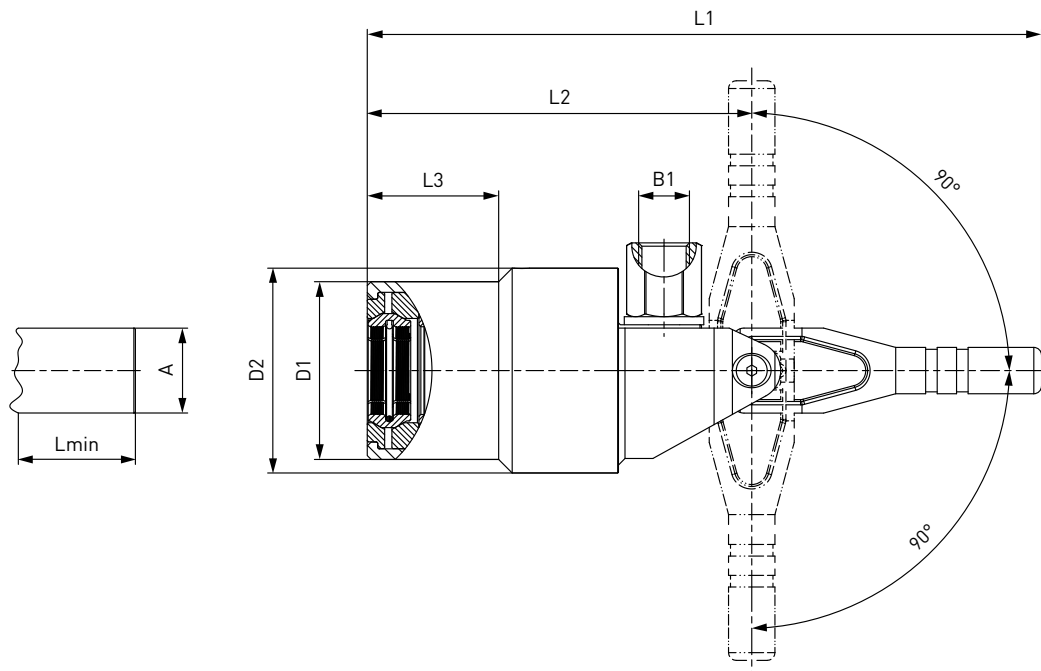
Part no.	Body size	Sealing range external tube Ø A ± 0.25	B1 (female thread)	D1	D2	L1	L2	L3	Lmin*	Replacement seal set (consisting of 5 front seals)
<b>C1-130672</b>	2	12.0	G1/4"	35	42	165	90	25	26.5	<b>B202B-130732</b>
<b>C1-130674</b>	2	12.7 (1/2")	G1/4"	35	42	165	90	25	26.5	<b>B202B-130734</b>
<b>C1-130685</b>	2	15.9 (5/8")	G1/4"	35	42	165	90	25	26.5	<b>B202B-130745</b>
<b>C1-130686</b>	2	16.0	G1/4"	35	42	165	90	25	26.5	<b>B202B-130746</b>

\* Lmin: minimum insertion length of test piece  
 When ordering, please state if testing reinforced fibre glass or plastic test pieces.  
 Other connection sizes on request

Ordering

**ORDERING** | WEH® TW241 Quick connector – body size 3

approx. dimensions (mm)



Part no.	Body size	Sealing range external tube Ø A ± 0.25	B1 (female thread)	D1	D2	L1	L2	L3	Lmin*	Replacement seal set (consisting of 5 front seals)
<b>C1-130691</b>	3	19.05 (3/4")	G1/4"	46	53	175	100	34	26	<b>B202B-130752</b>
<b>C1-130694</b>	3	22.0	G1/4"	46	53	175	100	34	26	<b>B202B-130755</b>
<b>C1-130695</b>	3	22.2 (7/8")	G1/4"	46	53	175	100	34	26	<b>B202B-130756</b>

\* Lmin: minimum insertion length of test piece  
 When ordering, please state if testing reinforced fibre glass or plastic test pieces.  
 Other connection sizes on request

Other connection types on request.

Required information for ordering see page 7, catalog no. 35.

Accessories

**ACCESSORIES**

The following accessories are available for the WEH® TW241 Quick connector:

**Screw plug for plug version**

If the WEH® Connector is used as a plug, the media inlet 'B1' can be sealed with a screw plug of stainless steel with an o-ring of NBR 70° Shore for high pressure range. It is recommended that the media compatibility of the seal be tested by the customer!



Part no.	Description	Connection (male thread)	Pressure range
<b>W9329</b>	Screw plug (high pressure)	G1/8"	0 - 350 bar
<b>W9330</b>	Screw plug (high pressure)	G1/4"	0 - 350 bar

**Lever extension**

As standard the TW241 quick connector has a short lever for easy connection to components at difficult-to-access ports. A lever extension for applications with no restricted space is optionally available enhancing comfort in operation.



Part no.	Description
<b>E67-137059</b>	Lever extension for TW241

## Technical explanations

### TECHNICAL EXPLANATIONS

#### Abbreviations/Definitions

For explanation of abbreviations and definitions of terms see applicable Technical Appendix of the corresponding catalog or [www.weh.com](http://www.weh.com)

#### Illustrations

The illustrations and/or images used in these data sheet are particularly provided for illustrative purposes only and may differ in some details from the actual product. For binding information, please refer to your individual orders.

#### Safe product selection

Our WEH® Products are designed to be operated by qualified professional users (insofar as WEH® Products are also designed to be operated by other users in individual cases, this is explicitly stated in the corresponding operating instructions). Please note that WEH does not know your system and therefore - also due to the large number of different potential applications of WEH® Products - cannot perform tests on all potential types of application. You alone are responsible for the selection, configuration and suitability of WEH® Products, especially according to the requirements of your system. Before purchasing WEH® Products, please particularly ensure that our products are compatible with your intended use, your performance data, your material and fluids, your system concept and your system limits according to our product specifications. Please also consider your technical and legal requirements for operation, handling and maintenance. The quality and safety of WEH® Products is our highest priority. For this reason, WEH® Products may not be used outside the specifications in the relevant data sheets and product descriptions. If you are not sure whether the WEH® Product is suitable for your system and intended use, please contact us in advance. We also strongly recommend that you refrain from using third-party spare parts or a combination of WEH® Products with unsuitable third-party products. You alone are responsible for reviewing the suitability of third-party products. WEH® Products and WEH® Spare parts comply with our quality and safety standards.

#### Service life

WEH® Products are generally products which may be subject to wear and fatigue during operation and depending on your individual application/use. For details - in particular regarding the corresponding minimum inspection and maintenance intervals - please refer to the respective operating instructions for the WEH® Product.

#### Explanation on the Pressure Equipment Directive

These WEH® Products are generally classified as pressure accessories in accordance with Article 2 (5) of the Pressure Equipment Directive 2014/68/EU and are considered to be similar to piping. These WEH® Products may not be used as safety accessories. Furthermore, it is pointed out, that these WEH® Products are designed and placed on the market in accordance with the requirements of Article 4 (3) of the Pressure Equipment Directive 2014/68/EU. The assessment with regard to a different classification can, however, be made on request.

#### External change management

WEH reserves the right to update, optimise and adjust its products continuously. This may result in corresponding changes of the product. Customers will be informed proactively or unsolicited by WEH only in individual cases about product updates, product optimisations and/or product adaptations that have been carried out. You are free to contact WEH at any time to request information about any product updates, product optimisations and/or product adjustments.

© All rights reserved, WEH GmbH Verbindungstechnik.

Any unauthorized copying, distribution or other use of the copyrighted content is strictly forbidden without the written consent of WEH GmbH Verbindungstechnik.

Upon transmission of a newer version of this document, all previous versions are no longer valid. In principle, the latest version of the document is valid. This can be found at [www.weh.com](http://www.weh.com).

Our General Terms and Conditions and the Agreement on Protection of Know-How and Quality Assurance ([www.weh.com](http://www.weh.com)) shall apply to deliveries and other services, unless expressly agreed otherwise.

We do not accept any General Terms and Conditions of the purchaser.

WEH® is a registered trademark of WEH GmbH Verbindungstechnik.

#### » Contact

More questions? – Great! Don't hesitate to contact our experts.

Manufacturer:

**WEH GmbH Precision Connectors**

Josef-Henle-Str. 1  
89257 Illertissen / Germany

Phone: +49 7303 9609-0

E-Mail: [sales@weh.com](mailto:sales@weh.com)

Website: [www.weh.com](http://www.weh.com)