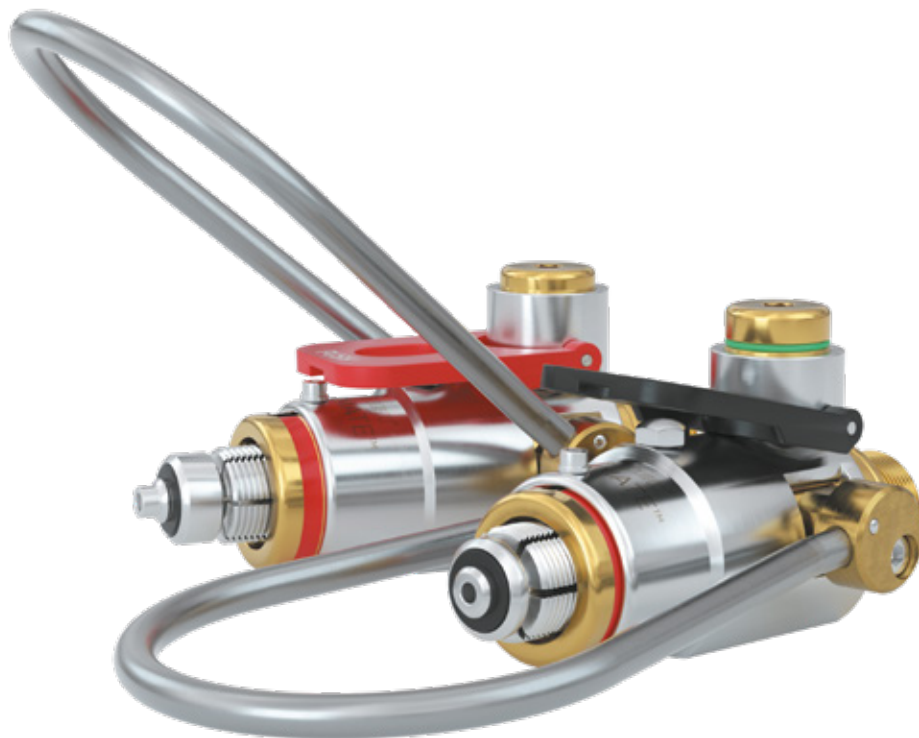


CLICKMATE[®] TW154

Quick connector for filling of BA cylinders

for direct connection to existing filling rigs



General

DESCRIPTION



Features

- Connection directly to the standard threads of the cylinder valves
- Quick connection in seconds without hand tightening
- Filling of breathing air cylinders becomes even easier and more efficient
- Improves operational safety and ergonomics

CLICKMATE® TW154 quick connector is designed for filling breathing air cylinders. Existing filling rigs equipped with screw connectors can be upgraded without problems.

The **CLICKMATE® TW154** uses the split collet thread design that locks securely into standard threads of cylinder valves. Connection is made by lowering the operating loop through 90° which locks the split collet jaws into the cylinder valve and actuates the sealing piston. An integrated safety mechanism prevents disconnection under pressure.

CLICKMATE® TW154 is available, among others, for breathing air cylinders with a nominal operating pressure of 200 bar resp. 300 bar. For differentiation, the connector for 200 bar is equipped with a black locking lever and the connector for 300 bar with a red locking lever.

The quick connector is equipped with a NBR front seal and inner seals of FKM. Other sealing materials are available on request. It is the customer's responsibility to clarify the media compatibility.

All connectors are subjected to extensive pressure and durability tests.

Application

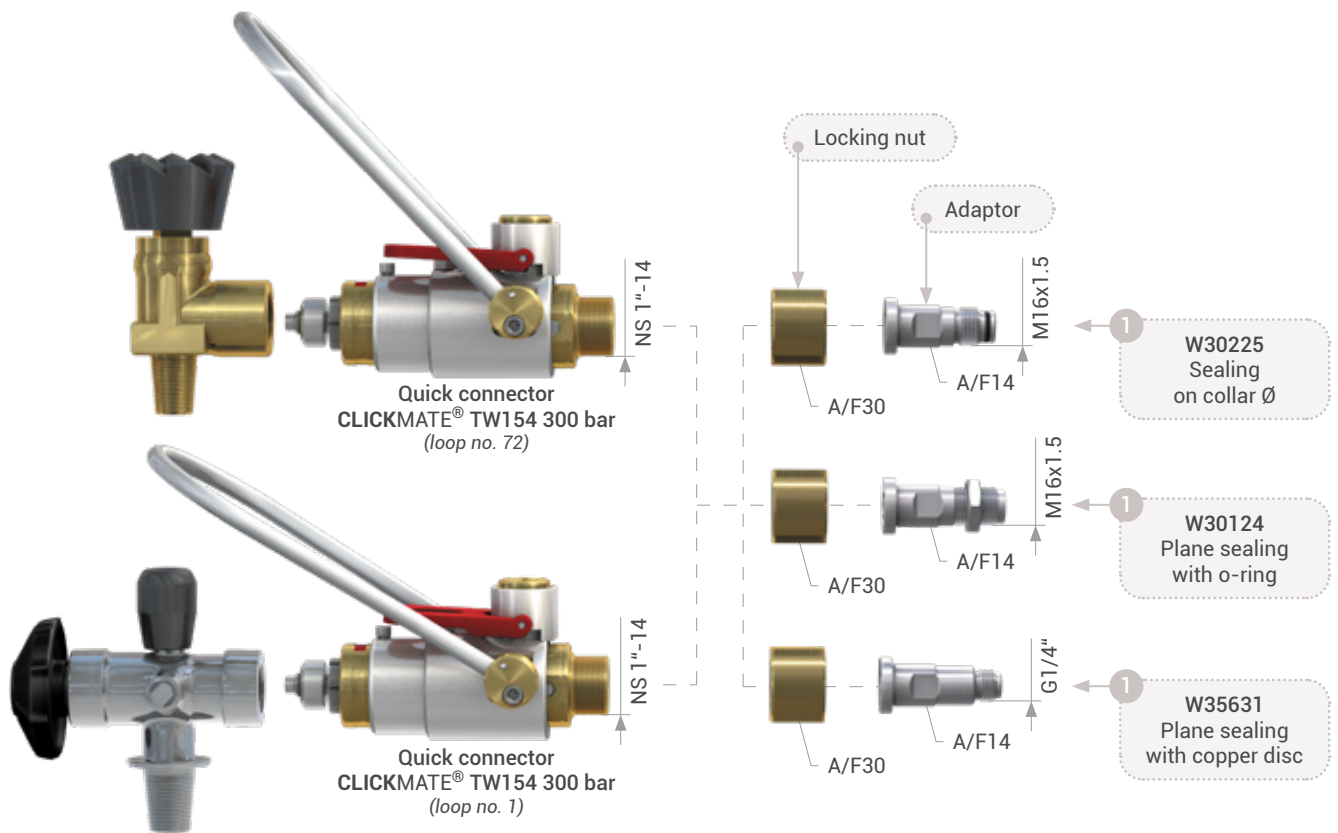
Quick connector for filling of BA cylinders in fire brigade BA filling installations for direct connection to existing filling rigs that have balancers to equalize weight and height.

TECHNICAL DATA

Characteristics	Basic version	Options
Max. allowable operating pressure PS	250 bar resp. 375 bar	On request
Temperature range	+5 °C up to +70 °C	On request
Medium	Breathing air (compressed air)	On request
Connection A (cylinder valve)	Standard connection for G5/8" female thread (DIN 477)	Other connections acc. to the corresponding national standard available. Special connections available.
Inlet B1	Depending on connection at the filling rig	On request
Material	Brass and corrosion-resistant stainless steel	On request
Sealing material	Front seal: NBR Inner seals: FKM	

System overview

SYSTEM OVERVIEW

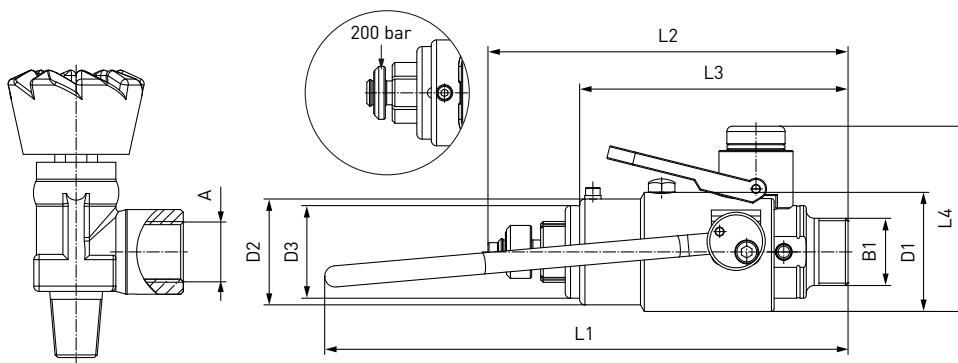


Filling rig with CLICKMATE® TW154 Connectors

Ordering

ORDERING | Quick connector **CLICKMATE® TW154** with operating loop no. 72

approx. dimensions (mm)

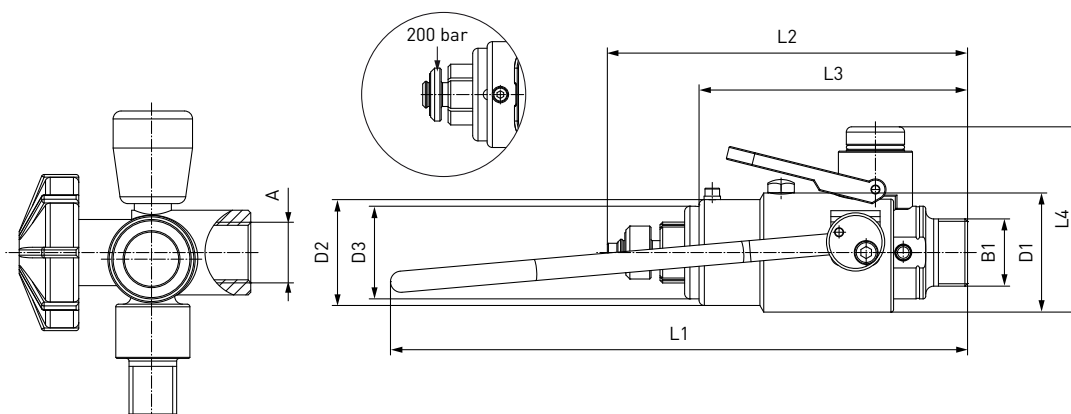


Part no.	Description	Pressure (PS)	A (female thread)	B1 (male thread)	L1	L2	L3	L4	D1	D2	D3
C1-92774-X01	CLICKMATE® TW154	250 bar	G5/8"*	NS 1"-14	198	126	102	70	45	40	35
C1-92775-X01	CLICKMATE® TW154	375 bar	G5/8"*	NS 1"-14	198	136	102	70	45	40	35

* acc. to DIN 477

ORDERING | Quick connector **CLICKMATE® TW154** with operating loop no. 1 (suitable for Interspiro)

approx. dimensions (mm)



Part no.	Description	Pressure (PS)	A (female thread)	B1 (male thread)	L1	L2	L3	L4	D1	D2	D3
C1-109695-X01	CLICKMATE® TW154	250 bar	G5/8"*	NS 1"-14	198	126	102	70	45	40	35
C1-109696-X01	CLICKMATE® TW154	375 bar	G5/8"*	NS 1"-14	198	136	102	70	45	40	35

* acc. to DIN 477

Accessories / Spare parts

ACCESSORIES

The following accessories are available for the **CLICKMATE®** TW154:

1 Adaptors incl. locking nut

Adaptor for **CLICKMATE®** TW154 for connection to the filling rig.



Part no.	Description	Pressure (PS)	Connection
W30225	For connection to the filling rig	375 bar	M16x1.5 male thread o-ring sealing on collar Ø 12.9 mm
W30124	For connection to the filling rig	375 bar	M16x1.5 male thread o-ring plane sealing
W35631	For connection to the filling rig	375 bar	G1/4" male thread plane sealing

2 Weight and height balancing system TZ100

For safe positioning of the cylinders below the filling rig.

Note: Please note that a minimum space of 180 mm from connector centre to connector centre has to be observed at the filling rig!



Part no.	Description	Filling height
C1-66042	TZ100 System 1	825 - 870 mm
C1-66237	TZ100 System 2	840 - 910 mm
C1-66238	TZ100 System 3	880 - 980 mm
C1-66239	TZ100 System 4	955 - 1055 mm

SPARE PARTS

Various parts are available as spares for the **CLICKMATE®** TW154.

Part no.	Description
E51-308S508	Spare front seal for CLICKMATE® TW154

Technical explanations

TECHNICAL EXPLANATIONS

Abbreviations/Definitions

For explanation of abbreviations and definitions of terms see applicable Technical Appendix of the corresponding catalog or www.weh.com

Illustrations

The illustrations and/or images used in these data sheet are particularly provided for illustrative purposes only and may differ in some details from the actual product. For binding information, please refer to your individual orders.

Safe product selection

Our WEH® Products are designed to be operated by qualified professional users (insofar as WEH® Products are also designed to be operated by other users in individual cases, this is explicitly stated in the corresponding operating instructions). Please note that WEH does not know your system and therefore - also due to the large number of different potential applications of WEH® Products - cannot perform tests on all potential types of application. You alone are responsible for the selection, configuration and suitability of WEH® Products, especially according to the requirements of your system. Before purchasing WEH® Products, please particularly ensure that our products are compatible with your intended use, your performance data, your material and fluids, your system concept and your system limits according to our product specifications. Please also consider your technical and legal requirements for operation, handling and maintenance. The quality and safety of WEH® Products is our highest priority. For this reason, WEH® Products may not be used outside the specifications in the relevant data sheets and product descriptions. If you are not sure whether the WEH® Product is suitable for your system and intended use, please contact us in advance. We also strongly recommend that you refrain from using third-party spare parts or a combination of WEH® Products with unsuitable third-party products. You alone are responsible for reviewing the suitability of third-party products. WEH® Products and WEH® Spare parts comply with our quality and safety standards.

Service life

WEH® Products are generally products which may be subject to wear and fatigue during operation and depending on your individual application/use. For details - in particular regarding the corresponding minimum inspection and maintenance intervals - please refer to the respective operating instructions for the WEH® Product.

Explanation on the Pressure Equipment Directive

These WEH® Products are generally classified as pressure accessories in accordance with Article 2 (5) of the Pressure Equipment Directive 2014/68/EU and are considered to be similar to piping. These WEH® Products may not be used as safety accessories. Furthermore, it is pointed out, that these WEH® Products are designed and placed on the market in accordance with the requirements of Article 4 (3) of the Pressure Equipment Directive 2014/68/EU. The assessment with regard to a different classification can, however, be made on request.

External change management

WEH reserves the right to update, optimise and adjust its products continuously. This may result in corresponding changes of the product. Customers will be informed proactively or unsolicited by WEH only in individual cases about product updates, product optimisations and/or product adaptations that have been carried out. You are free to contact WEH at any time to request information about any product updates, product optimisations and/or product adjustments.

© All rights reserved, WEH GmbH Verbindungstechnik.

Any unauthorized copying, distribution or other use of the copyrighted content is strictly forbidden without the written consent of WEH GmbH Verbindungstechnik.

Upon transmission of a newer version of this document, all previous versions are no longer valid. In principle, the latest version of the document is valid. This can be found at www.weh.com.

Our General Terms and Conditions and the Agreement on Protection of Know-How and Quality Assurance (www.weh.com) shall apply to deliveries and other services, unless expressly agreed otherwise.

We do not accept any General Terms and Conditions of the purchaser.

WEH® is a registered trademark of WEH GmbH Verbindungstechnik.

» Contact

More questions? – Great! Don't hesitate to contact our experts.

Manufacturer:

WEH GmbH Precision Connectors

Josef-Henle-Str. 1
89257 Illertissen / Germany

Phone: +49 7303 9609-0

E-Mail: sales@weh.com

Website: www.weh.com