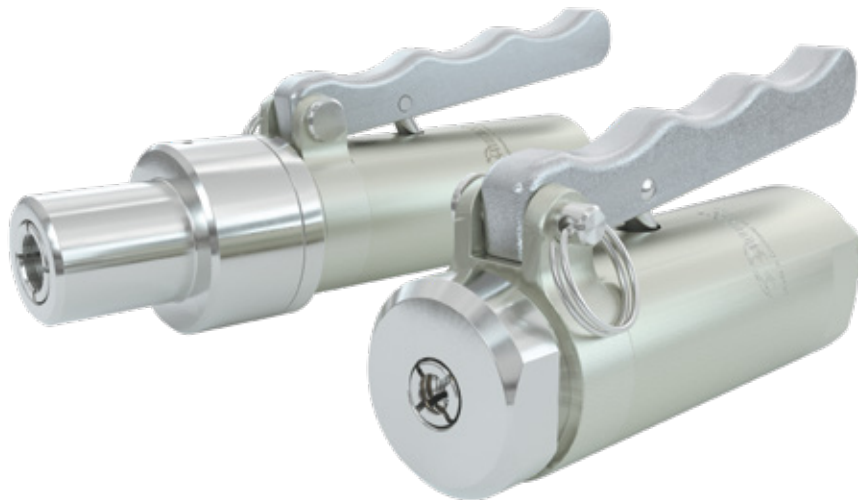


# Type **TW141**

**WEH<sup>®</sup> Quick connector for pressure and function testing**  
of straight tubes (external tube  $\varnothing$  6.0 mm - 22.2 mm)



General

**DESCRIPTION**



**Features**

- Connection in seconds
- No hand tightening required
- For connection onto straight tubes, sealing on the external diameter
- No lateral forces generated on connection
- WEH® Jaw locking mechanism
- Ergonomic design
- High-grade materials

The WEH® TW141 Quick connector provides pressure-tight connections on straight tubes of copper, brass or aluminium and has earned a reputation for ease of operation.

The TW141 is a lever-actuated connector, which creates no lateral forces that can distort the test piece or filling port when connecting and disconnecting. WEH® TW141 is fitted with an internal safety feature which prevents the connector from being removed until a pressure lower than 5 bar is attained.

The WEH® TW141 is equipped with a NBR front seal. Other sealing materials on request. It is the customer's responsibility to clarify the media compatibility.

**Application**

Quick connector for pressure and function testing of straight tubes (sealing on external tube diameter), as for example leak testing of heat exchangers, air conditioning components and tube assemblies.

Filling of closed cooling circuits with refrigerants.

**TECHNICAL DATA**

Characteristics	Basic version
Nominal bore (DN)	3 to 5 mm, acc. to design
Max. allowable operating pressure PS	Vacuum up to 100 bar
Temperature range	-10 °C up to +80 °C
Leak rate	1 x 10 <sup>-3</sup> mbar x l/s
Actuation	Manual actuation via hand lever
Max. allowable surface finish of test piece	Rz8 µm
Material	Clamping jaws: corrosion resistant stainless steel Housing: anodized aluminium
Sealing material	Front seal of NBR

Other designs on request

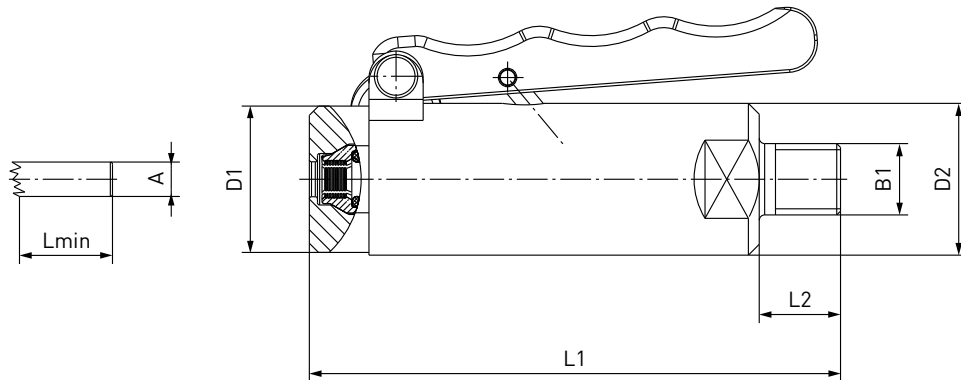
**Example of use:**



Ordering

**ORDERING** | WEH® TW141 Quick connector – body size 1

approx. dimensions (mm)



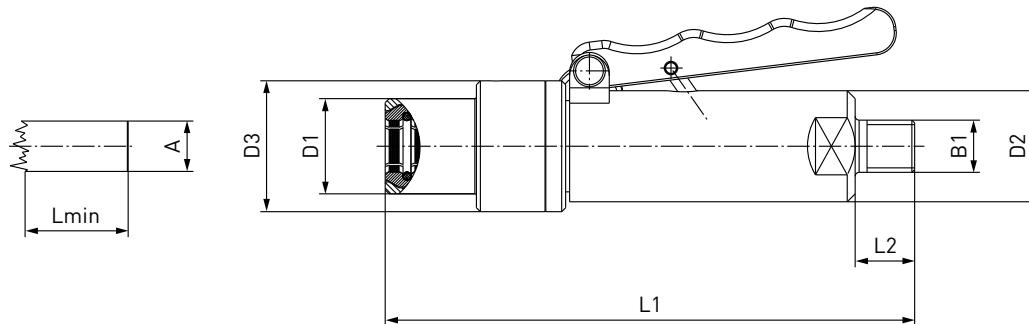
Part no.	Body size	Sealing range external tube Ø A	Tolerance	B1 (male thread)	D1	D2	L1	L2	Lmin*
<b>C1-14967</b>	1	6.0	± 0.2	NPT 1/4"	27	28	100	15	19
<b>C1-17606</b>	1	6.35 (1/4")	± 0.2	NPT 1/4"	27	28	100	15	19
<b>C1-17750</b>	1	7.9 (5/16")	± 0.2	NPT 1/4"	27	28	100	15	19
<b>C1-14968</b>	1	8.0	± 0.2	NPT 1/4"	27	28	100	15	19

\* Lmin: minimum insertion length of test piece  
Other connection sizes on request

Ordering

**ORDERING** | WEH® TW141 Quick connector – body size 2 + 3

approx. dimensions (mm)



Part no.	Body size	Sealing range external tube Ø A	Tolerance	B1 (male thread)	D1	D2	D3	L1	L2	Lmin*
C1-17536	2	9.5 (3/8")	± 0.1	NPT 1/4"	21	28	33	134	15	19
C1-16773	2	10.0	± 0.1	NPT 1/4"	19	28	33	134	15	15
C1-16774	2	12.0	± 0.1	NPT 1/4"	21	28	33	134	15	15
C1-17751	2	12.7 (1/2")	± 0.1	NPT 1/4"	24	28	33	134	15	15
C1-16775	2	15.0	± 0.1	NPT 1/4"	24	28	33	134	15	15
C1-17959	3	15.9 (5/8")	± 0.1	NPT 1/4"	32	28	49	134	15	15
C1-16776	3	16.0	± 0.1	NPT 1/4"	32	28	49	134	15	15
C1-16777	3	18.0	± 0.1	NPT 1/4"	34	28	49	134	15	15
C1-18006	3	19.05 (3/4")	± 0.1	NPT 1/4"	34	28	49	134	15	15
C1-16778	3	22.0	± 0.1	NPT 1/4"	38	28	49	134	15	15
C1-17939	3	22.2 (7/8")	± 0.1	NPT 1/4"	38	28	49	134	15	15

\* Lmin: minimum insertion length of test piece  
Other connection sizes on request

Other connection types on request.

Required information for ordering see page 7, catalog no. 40.

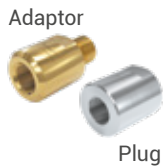
Accessories / Spare parts

**ACCESSORIES**

The following accessories are available for the WEH® TW141 Quick connector:

**Adaptor / Plug**

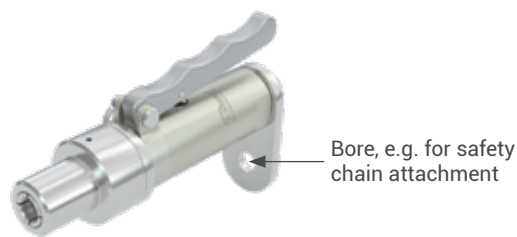
For the TW141 different adaptors for other media inlets are available. If the connector is to be used as a plug, the media inlet 'B1' can be sealed.



Part no.	Description	Connection
<b>E29-30810</b>	Adaptor	NPT 1/4" female thread - G1/4" female thread
<b>E201-30366</b>	Adaptor	NPT 1/4" female thread - G1/4" male thread
<b>E29-934P</b>	Adaptor	NPT 1/4" female thread - UNF 7/16" male thread
<b>E29-900P</b>	Plug	NPT 1/4" female thread

**Anchor plate**

WEH offers an anchor plate to create a safe, secure attachment for the TW141 and which can be used for all sealing ranges.



Part no.	Description
<b>E29-45285</b>	Anchor plate for TW141

**SPARE PARTS**

Various parts are available as spares for the WEH® TW141 Quick connector.

Part no.	Description
<b>On request</b>	Front seal

When ordering the front seal, please indicate the part no. engraved on the connector.

## Technical explanations

### TECHNICAL EXPLANATIONS

#### Abbreviations/Definitions

For explanation of abbreviations and definitions of terms see applicable Technical Appendix of the corresponding catalog or [www.weh.com](http://www.weh.com)

#### Illustrations

The illustrations and/or images used in these data sheet are particularly provided for illustrative purposes only and may differ in some details from the actual product. For binding information, please refer to your individual orders.

#### Safe product selection

Our WEH® Products are designed to be operated by qualified professional users (insofar as WEH® Products are also designed to be operated by other users in individual cases, this is explicitly stated in the corresponding operating instructions). Please note that WEH does not know your system and therefore - also due to the large number of different potential applications of WEH® Products - cannot perform tests on all potential types of application. You alone are responsible for the selection, configuration and suitability of WEH® Products, especially according to the requirements of your system. Before purchasing WEH® Products, please particularly ensure that our products are compatible with your intended use, your performance data, your material and fluids, your system concept and your system limits according to our product specifications. Please also consider your technical and legal requirements for operation, handling and maintenance. The quality and safety of WEH® Products is our highest priority. For this reason, WEH® Products may not be used outside the specifications in the relevant data sheets and product descriptions. If you are not sure whether the WEH® Product is suitable for your system and intended use, please contact us in advance. We also strongly recommend that you refrain from using third-party spare parts or a combination of WEH® Products with unsuitable third-party products. You alone are responsible for reviewing the suitability of third-party products. WEH® Products and WEH® Spare parts comply with our quality and safety standards.

#### Service life

WEH® Products are generally products which may be subject to wear and fatigue during operation and depending on your individual application/use. For details - in particular regarding the corresponding minimum inspection and maintenance intervals - please refer to the respective operating instructions for the WEH® Product.

#### Explanation on the Pressure Equipment Directive

These WEH® Products are generally classified as pressure accessories in accordance with Article 2 (5) of the Pressure Equipment Directive 2014/68/EU and are considered to be similar to piping. These WEH® Products may not be used as safety accessories. Furthermore, it is pointed out, that these WEH® Products are designed and placed on the market in accordance with the requirements of Article 4 (3) of the Pressure Equipment Directive 2014/68/EU. The assessment with regard to a different classification can, however, be made on request.

#### External change management

WEH reserves the right to update, optimise and adjust its products continuously. This may result in corresponding changes of the product. Customers will be informed proactively or unsolicited by WEH only in individual cases about product updates, product optimisations and/or product adaptations that have been carried out. You are free to contact WEH at any time to request information about any product updates, product optimisations and/or product adjustments.

© All rights reserved, WEH GmbH Verbindungstechnik.

Any unauthorized copying, distribution or other use of the copyrighted content is strictly forbidden without the written consent of WEH GmbH Verbindungstechnik.

Upon transmission of a newer version of this document, all previous versions are no longer valid. In principle, the latest version of the document is valid. This can be found at [www.weh.com](http://www.weh.com).

Our General Terms and Conditions and the Agreement on Protection of Know-How and Quality Assurance ([www.weh.com](http://www.weh.com)) shall apply to deliveries and other services, unless expressly agreed otherwise.

We do not accept any General Terms and Conditions of the purchaser.

WEH® is a registered trademark of WEH GmbH Verbindungstechnik.

## » Contact

More questions? – Great! Don't hesitate to contact our experts.

Manufacturer:

**WEH GmbH Precision Connectors**

Josef-Henle-Str. 1  
89257 Illertissen / Germany

Phone: +49 7303 9609-0

E-Mail: [sales@weh.com](mailto:sales@weh.com)

Website: [www.weh.com](http://www.weh.com)