

Type **TW117**

WEH[®] Quick connector for testing of gas cylinders
with water



General

DESCRIPTION



Features

- Three functions with one connection: **filling - testing - discharging of/with water**
- Connection in seconds
- No hand tightening required
- WEH® Jaw locking mechanism
- Robust construction
- High-grade materials

The WEH® TW117 Quick connector simplifies testing of gas cylinders with water. Eliminating tedious screwing and un-screwing of threaded parts saves time and money and also spares the employees muscles and joints. The quick connector is easy to connect and disconnect with a single-handed operation. The most impressive features are the high functionality and range of applications of TW117.

Three functions with one connection: filling, testing and discharging of gas cylinders with water (discharging can also be carried out with compressed air).

A green visual ring (see example of use) shows when the connector has been properly connected.

For pressure tests, the lateral inlet 'B2' has to be sealed with a high pressure screw plug or a ball valve. Please contact us!

Application

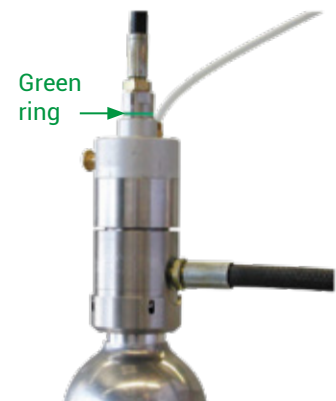
Quick connector for testing of gas cylinders with water.

TECHNICAL DATA

| Characteristics | Basic version |
|--------------------------------------|--|
| Max. allowable operating pressure PS | 450 bar |
| Pilot pressure | 6 - 8 bar air |
| Pilot pressure port P1 | M5 |
| Temperature range | +10 °C up to +80 °C |
| Medium | Water, compressed air (when discharging) |
| Actuation | Pneumatic actuation via valve head |
| Material | Corrosion resistant stainless steel, aluminum, brass |
| Sealing material | NBR |

Other designs on request

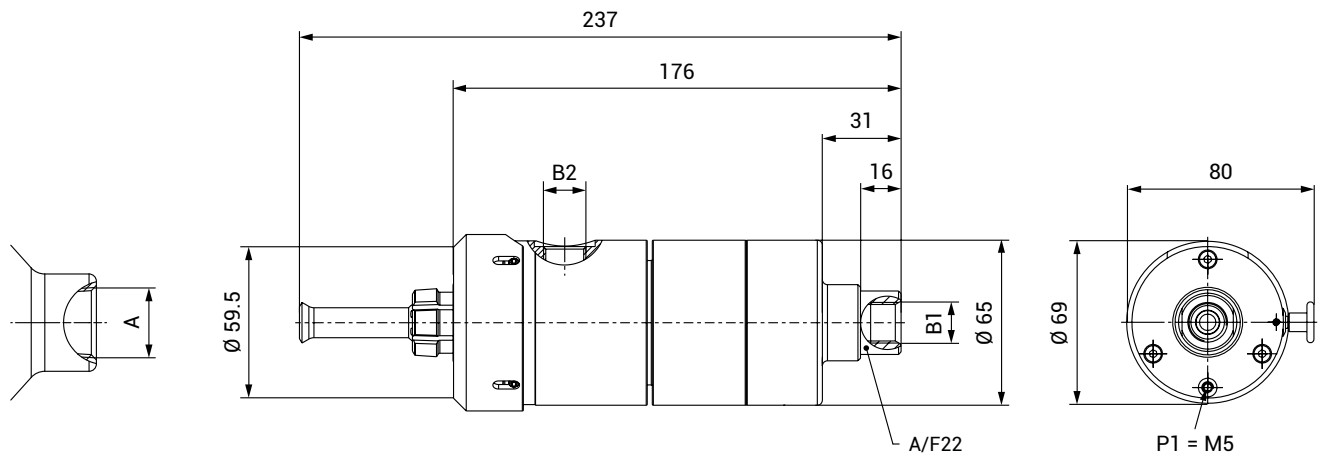
Example of use:



Ordering / Accessories / Spare parts

ORDERING | WEH® TW117 Quick connector

approx. dimensions (mm)



| Part No. | Description | A (female thread) | B1 (female thread) | B2 (female thread) |
|-----------------|-------------|----------------------|-----------------------|-----------------------|
| C1-11673 | TW117 | W28.8x1/14** | M16x1.5 | G3/8" |

* acc. to DIN 477

Other connection sizes and types on request.

Required information for ordering see page 7, catalog no. 20.

ACCESSORIES

The following accessories are available for the WEH® TW117 Quick connector:

Adaptors

Adaptors for connecting the quick connector to the filling hose are available on request.

SPARE PARTS

Various parts are available as spares for the WEH® TW117 Quick connector.

| Part No. | Description |
|---------------------|-------------|
| E50-231N | Front seal |
| B200B-056-00 | Seal set |

Technical explanations

TECHNICAL EXPLANATIONS

Abbreviations/Definitions

For explanation of abbreviations and definitions of terms see applicable Technical Appendix of the corresponding catalog or www.weh.com

Illustrations

The illustrations and/or images used in these data sheet are particularly provided for illustrative purposes only and may differ in some details from the actual product. For binding information, please refer to your individual orders.

Safe product selection

Our WEH® Products are designed to be operated by qualified professional users (insofar as WEH® Products are also designed to be operated by other users in individual cases, this is explicitly stated in the corresponding operating instructions). Please note that WEH does not know your system and therefore - also due to the large number of different potential applications of WEH® Products - cannot perform tests on all potential types of application. You alone are responsible for the selection, configuration and suitability of WEH® Products, especially according to the requirements of your system. Before purchasing WEH® Products, please particularly ensure that our products are compatible with your intended use, your performance data, your material and fluids, your system concept and your system limits according to our product specifications. Please also consider your technical and legal requirements for operation, handling and maintenance. The quality and safety of WEH® Products is our highest priority. For this reason, WEH® Products may not be used outside the specifications in the relevant data sheets and product descriptions. If you are not sure whether the WEH® Product is suitable for your system and intended use, please contact us in advance. We also strongly recommend that you refrain from using third-party spare parts or a combination of WEH® Products with unsuitable third-party products. You alone are responsible for reviewing the suitability of third-party products. WEH® Products and WEH® Spare parts comply with our quality and safety standards.

Service life

WEH® Products are generally products which may be subject to wear and fatigue during operation and depending on your individual application/use. For details - in particular regarding the corresponding minimum inspection and maintenance intervals - please refer to the respective operating instructions for the WEH® Product.

Explanation on the Pressure Equipment Directive

These WEH® Products are generally classified as pressure accessories in accordance with Article 2 (5) of the Pressure Equipment Directive 2014/68/EU and are considered to be similar to piping. These WEH® Products may not be used as safety accessories. Furthermore, it is pointed out, that these WEH® Products are designed and placed on the market in accordance with the requirements of Article 4 (3) of the Pressure Equipment Directive 2014/68/EU. The assessment with regard to a different classification can, however, be made on request.

External change management

WEH reserves the right to update, optimise and adjust its products continuously. This may result in corresponding changes of the product. Customers will be informed proactively or unsolicited by WEH only in individual cases about product updates, product optimisations and/or product adaptations that have been carried out. You are free to contact WEH at any time to request information about any product updates, product optimisations and/or product adjustments.

© All rights reserved, WEH GmbH Verbindungstechnik.

Any unauthorized copying, distribution or other use of the copyrighted content is strictly forbidden without the written consent of WEH GmbH Verbindungstechnik.

Upon transmission of a newer version of this document, all previous versions are no longer valid. In principle, the latest version of the document is valid. This can be found at www.weh.com.

Our General Terms and Conditions and the Agreement on Protection of Know-How and Quality Assurance (www.weh.com) shall apply to deliveries and other services, unless expressly agreed otherwise.

We do not accept any General Terms and Conditions of the purchaser.

WEH® is a registered trademark of WEH GmbH Verbindungstechnik.

» Contact

More questions? – Great! Don't hesitate to contact our experts.

Manufacturer:

WEH GmbH Precision Connectors

Josef-Henle-Str. 1
89257 Illertissen / Germany

Phone: +49 7303 9609-0

E-Mail: sales@weh.com

Website: www.weh.com