

Type **TK25 H₂**

WEH[®] Fueling nozzle for hydrogen fast filling
of buses and trucks at self-service fueling stations



General

DESCRIPTION



Features

- Type A nozzle acc. to SAE J2600 resp. ISO 17268
- Compatible with WEH® TN5 H₂ receptacle profile
- Safe handling due to special safety function when disconnecting
- High flow rate → short filling times
- Recirculation of the vented gas
- Plastic thermal protection
- WEH® Jaw locking mechanism
- High-grade materials
- Coding for pressure range / gas type (acc. to table below)

The WEH® TK25 H₂ Fueling nozzle enables easy refueling of buses and trucks. Simply place the TK25 H₂ fueling nozzle onto the receptacle, turn the operating lever by 180° and the vehicle is refueled.

The internal coding for pressure range and gas type ensures that the WEH® TK25 H₂ can be connected to the compatible WEH® Receptacles acc. to the opposite table and also prevents the risk of confusion with natural gas.

The WEH® TK25 H₂ offers optimum safety for the operator. The fueling nozzle remains connected to the receptacle until the gas between inlet valve and receptacle is depressurized.

		TN5 H ₂	
		25 MPa	35 MPa
TK25 H ₂	35 MPa		✔
	25 MPa	✔	

Application

Fueling nozzle for hydrogen fast filling of buses and trucks at self-service fueling stations.

TECHNICAL DATA

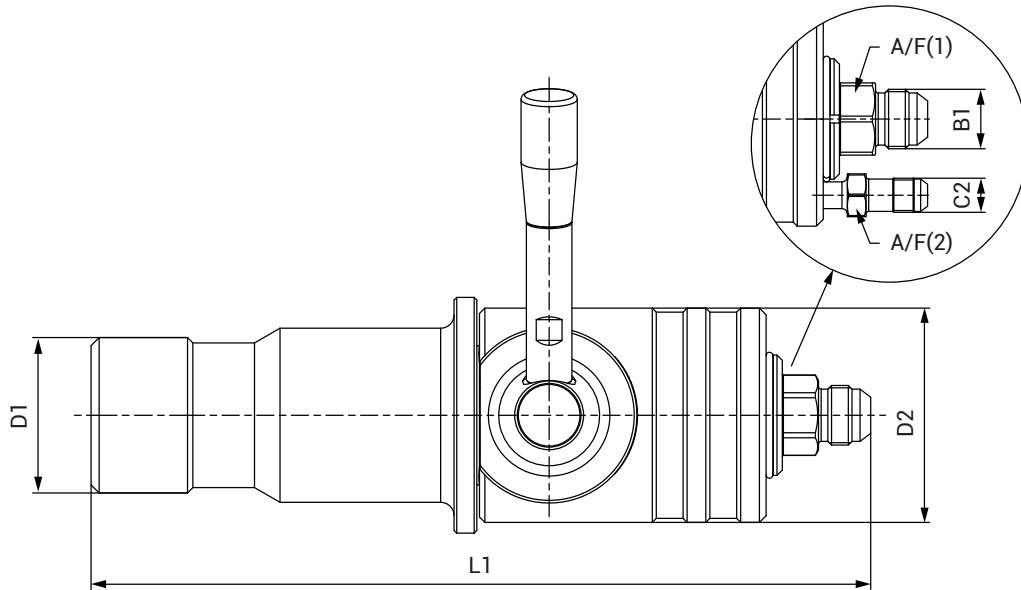
Characteristics	Basic version
Nominal bore (DN)	12 mm
Pressure range	PN = 35 MPa PS = 45 MPa
Media temperature range	-20 °C up to +85 °C
Ambient temperature range	-40 °C up to +85 °C
Material	Corrosion resistant
Sealing material	Hydrogen resistant
Nozzle type	Type A acc. to SAE J2600:2015 and previous resp. ISO 17268:2012 and previous
Design	With plastic thermal protection and gas recirculation
Weight	Approx. 4.6 kg

Other designs on request

Ordering / Accessories

ORDERING | WEH® TK25 H₂ Fueling nozzle

approx. dimensions (mm)



Part No.	Description	Pressure (PS)	B1 (male thread)	C2 (male thread)	L1	D1	D2	A/F(1)	A/F(2)
C1-62527-X1-X01	TK25 H ₂	45 MPa	UNF 7/8"-14*	UNF 9/16"-18*	297	58	80	27	16

* acc. to SAE J514, 37° cone

Fueling assemblies consisting of fueling nozzle, hose set and breakaway coupling are available on request.

ACCESSORIES

The following accessories are available for the WEH® TK25 H₂ Fueling nozzle:

Hose set

Hose set for connecting fueling nozzle and TSA5 H₂ breakaway coupling, complete with filling and venting hose, fittings and press-fittings supported by coil spring stubs. Not suitable for refueling with pre-cooled hydrogen acc. to SAE J2601.

Design filling/venting hose: max. operating pressure PS: 45 MPa / nominal bore (DN): 5.6 mm (filling hose)
 resp. 4.5 mm (venting hose) / media temperature range: -20 °C up to +90 °C



Part No.	B1/B2 (female thread)	C1/C2 (female thread)	Hose length
C1-152556	UNF 7/8"-14*	UNF 9/16"-18*	3 m
C1-152557	UNF 7/8"-14*	UNF 9/16"-18*	4 m
C1-152558	UNF 7/8"-14*	UNF 9/16"-18*	5 m

* acc. to SAE JIC, 37° cone

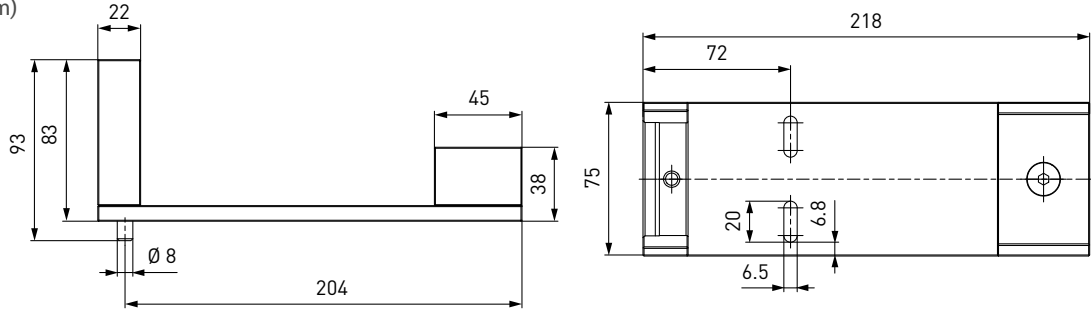
Accessories

Dispenser mounting

Mounting for safe attachment of the fueling nozzle to the dispenser.

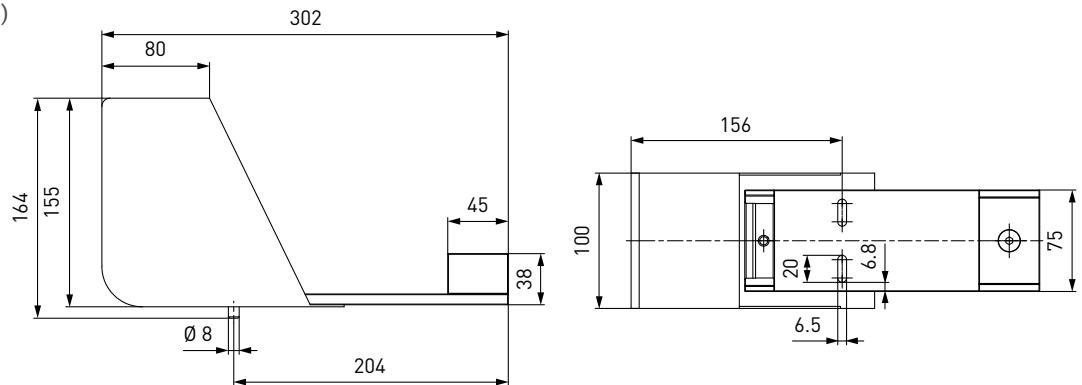
Switch actuated dispenser mounting

approx. dimensions (mm)



Switch actuated dispenser mounting with weather protection

approx. dimensions (mm)



Part No.	Description
C1-83005	Dispenser mounting (switch actuated)
C1-82153	Dispenser mounting (switch actuated) and weather protection

WEH® TNS5 H₂ Service receptacle

To prevent damage in the fueling nozzle while purging or leak testing during maintenance in the course of which pressure is applied, we recommend the use of a service receptacle. The receptacle also protects the fueling nozzle from dirt ingress whilst not in use.



Part no.	Description
C1-157347	TNS5 H ₂ Service receptacle incl. protection cap

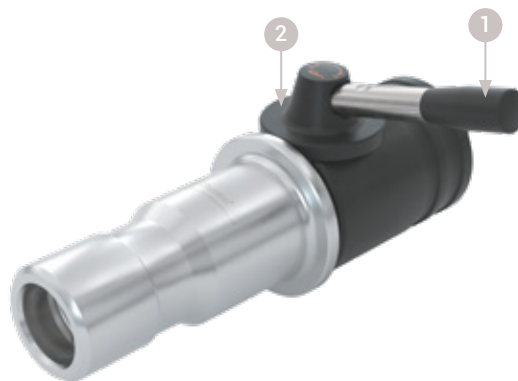
WEH® Breakaway couplings

For the suitable TSA5 H₂ breakaway coupling or TSA6 H₂ inline breakaway coupling, please see page 75 resp. 79 in catalog no. 50.

Spare parts

SPARE PARTS

Various parts are available as spares for the WEH® TK25 H₂ Fueling nozzle.



Part No.	Description
W6631	1 Actuation lever
E80-397S401	2 Cover plate
E99-44923	Maintenance spray

Technical explanations

TECHNICAL EXPLANATIONS

Abbreviations/Definitions

For explanation of abbreviations and definitions of terms see applicable Technical Appendix of the corresponding catalog or www.weh.com

Illustrations

The illustrations and/or images used in these data sheet are particularly provided for illustrative purposes only and may differ in some details from the actual product. For binding information, please refer to your individual orders.

Safe product selection

Our WEH® Products are designed to be operated by qualified professional users (insofar as WEH® Products are also designed to be operated by other users in individual cases, this is explicitly stated in the corresponding operating instructions). Please note that WEH does not know your system and therefore - also due to the large number of different potential applications of WEH® Products - cannot perform tests on all potential types of application. You alone are responsible for the selection, configuration and suitability of WEH® Products, especially according to the requirements of your system. Before purchasing WEH® Products, please particularly ensure that our products are compatible with your intended use, your performance data, your material and fluids, your system concept and your system limits according to our product specifications. Please also consider your technical and legal requirements for operation, handling and maintenance. The quality and safety of WEH® Products is our highest priority. For this reason, WEH® Products may not be used outside the specifications in the relevant data sheets and product descriptions. If you are not sure whether the WEH® Product is suitable for your system and intended use, please contact us in advance. We also strongly recommend that you refrain from using third-party spare parts or a combination of WEH® Products with unsuitable third-party products. You alone are responsible for reviewing the suitability of third-party products. WEH® Products and WEH® Spare parts comply with our quality and safety standards.

Service life

WEH® Products are generally products which may be subject to wear and fatigue during operation and depending on your individual application/use. For details - in particular regarding the corresponding minimum inspection and maintenance intervals - please refer to the respective operating instructions for the WEH® Product.

Explanation on the Pressure Equipment Directive

These WEH® Products are generally classified as pressure accessories in accordance with Article 2 (5) of the Pressure Equipment Directive 2014/68/EU and are considered to be similar to piping. These WEH® Products may not be used as safety accessories. Furthermore, it is pointed out, that these WEH® Products are designed and placed on the market in accordance with the requirements of Article 4 (3) of the Pressure Equipment Directive 2014/68/EU. The assessment with regard to a different classification can, however, be made on request.

External change management

WEH reserves the right to update, optimise and adjust its products continuously. This may result in corresponding changes of the product. Customers will be informed proactively or unsolicited by WEH only in individual cases about product updates, product optimisations and/or product adaptations that have been carried out. You are free to contact WEH at any time to request information about any product updates, product optimisations and/or product adjustments.

© All rights reserved, WEH GmbH Verbindungstechnik.

Any unauthorized copying, distribution or other use of the copyrighted content is strictly forbidden without the written consent of WEH GmbH Verbindungstechnik.

Upon transmission of a newer version of this document, all previous versions are no longer valid. In principle, the latest version of the document is valid. This can be found at www.weh.com.

Our General Terms and Conditions and the Agreement on Protection of Know-How and Quality Assurance (www.weh.com) shall apply to deliveries and other services, unless expressly agreed otherwise.

We do not accept any General Terms and Conditions of the purchaser.

WEH® is a registered trademark of WEH GmbH Verbindungstechnik.

» Contact

More questions? – Great! Don't hesitate to contact our experts.

Manufacturer:

WEH GmbH Gas Technology

Josef-Henle-Str. 1

89257 Illertissen / Germany

Phone: +49 7303 95190-0

E-Mail: h2sales@weh.com

Website: www.weh.com