

# Type **TK16 H<sub>2</sub>**

**WEH<sup>®</sup> Fueling nozzle for hydrogen fast filling**

of cars at self-service fueling stations



General

DESCRIPTION



Features

- Type A acc. to SAE J2600 resp. ISO 17268
- Compatible with WEH® TN1 H<sub>2</sub> Receptacle profile
- WEH EASY-TURN® 360° swivel joint for actuation lever
- Easy operation
- High flow rate → short filling times
- Recirculation of the vented gas
- Plastic thermal protection
- WEH® Jaw locking mechanism
- High-grade materials
- Coding for pressure range / gas type (acc. to table below)

The WEH® TK16 H<sub>2</sub> Fueling nozzle makes refueling cars with compressed gaseous hydrogen (CGH<sub>2</sub>) so much easier. The TK16 H<sub>2</sub> is very light in weight and therefore easy to operate.

The integrated swivel joint is located directly on the actuation lever, making it easy to rotate the fueling nozzle to the optimum connection position. The actuating lever can be switched with little effort when connecting and disconnecting.

The internal coding for pressure range and gas type ensures that the TK16 H<sub>2</sub> can be connected to the compatible WEH® Receptacles acc. to the opposite table and also prevents the risk of confusion with natural gas.

The WEH® TK16 H<sub>2</sub> offers optimum safety for the operator. The fueling nozzle remains connected to the receptacle until the gas between inlet valve and receptacle is depressurized.

		TN1 H <sub>2</sub>			
		25 MPa	35 MPa	35 MPa HF*	70 MPa
TK16 H <sub>2</sub>	25 MPa	✓	✓	✓	✓
	35 MPa		✓	✓	✓

\* HF = High-Flow

Application

Fueling nozzle for hydrogen fast filling of cars at self-service fueling stations.

TECHNICAL DATA

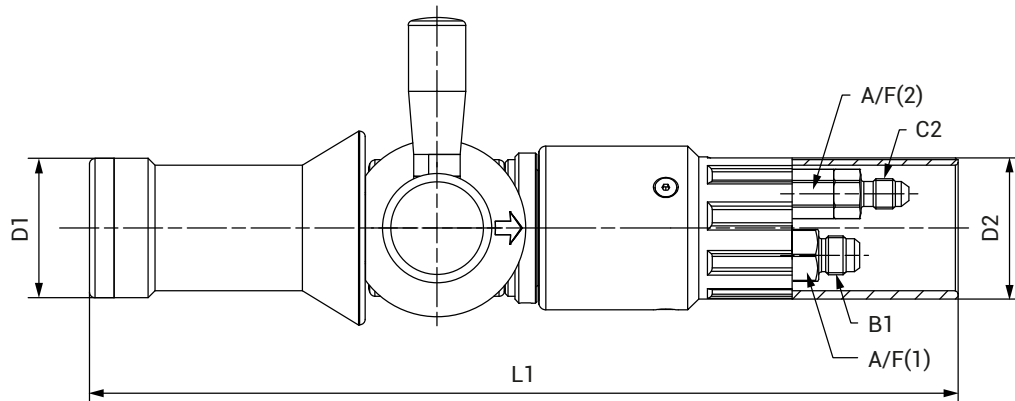
Characteristics	Basic version
Nominal bore (DN)	8 mm
Pressure range	PN = 25 MPa   PS = 35 MPa PN = 35 MPa   PS = 45 MPa
Media temperature range	-20 °C up to +85 °C
Ambient temperature range	-40 °C up to +85 °C
Material	Corrosion resistant
Sealing material	Hydrogen resistant
Nozzle type	Type A acc. to SAE J2600:2015 and previous resp. ISO 17268:2012 and previous
Design	With plastic thermal protection and gas recirculation
Weight	Approx. 1.8 kg
Conformity / Tests / Approvals	Tests acc. to SAE J2600:2002

Other designs on request

Ordering / Accessories

**ORDERING** | WEH® TK16 H<sub>2</sub> Fueling nozzle

approx. dimensions (mm)



Part No.	Description	Pressure (PS)	B1 (male thread)	C2 (male thread)	L1	D1	D2	A/F(1)	A/F(2)
<b>C1-45695-X4-X01</b>	TK16 H <sub>2</sub>	35 MPa	UNF 9/16"-18*	UNF 7/16"-20*	318	51	52	19	16
<b>C1-45696-X5-X01</b>	TK16 H <sub>2</sub>	45 MPa	UNF 9/16"-18*	UNF 7/16"-20*	318	51	52	19	16

\* acc. to SAE J514, 37° cone

Fueling assemblies consisting of fueling nozzle, hose set and breakaway coupling are available on request.

**ACCESSORIES**

The following accessories are available for the WEH® TK16 H<sub>2</sub> Fueling nozzle:

**Hose set**

Hose set for connecting fueling nozzle and TSA1 H<sub>2</sub> breakaway coupling, complete with filling and venting hose, fittings and press-fittings supported by coil spring stubs. Not suitable for refueling with pre-cooled hydrogen acc. to SAE J2601.

Design filling/venting hose:

max. operating pressure PS: 45 MPa / nominal bore (DN): 4.5 mm / media temperature range: -20 °C up to +90 °C



Part No.	B1/B2 (female thread)	C1/C2 (female thread)	Hose length
<b>C1-60917</b>	UNF 9/16"-18*	UNF 7/16"-20*	3 m
<b>C1-60920</b>	UNF 9/16"-18*	UNF 7/16"-20*	4 m
<b>C1-60923</b>	UNF 9/16"-18*	UNF 7/16"-20*	5 m

\* acc. to SAE JIC, 37° cone

Accessories / Spare parts

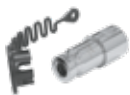
Dispenser mounting

Mounting for safe attachment of the fueling nozzle to the dispenser.

Part No.	Description
On request	Dispenser mounting

WEH® TNS1 H<sub>2</sub> Service receptacle

To prevent damage in the fueling nozzle while purging or leak testing during maintenance in the course of which pressure is applied, we recommend the use of a service receptacle. The receptacle also protects the fueling nozzle from dirt ingress whilst not in use.



Part no.	Description
C1-148079	TNS1 H <sub>2</sub> Service receptacle incl. protection cap

WEH® Breakaway couplings

For the suitable TSA1 H<sub>2</sub> breakaway coupling or TSA2 H<sub>2</sub> inline breakaway coupling, please see page 41 - 42 resp. 47 in catalog no. 50.

SPARE PARTS

Various parts are available as spares for the WEH® TK16 H<sub>2</sub> Fueling nozzle.



Part No.	Description
E80-176344	1 Impact protection
W72504	2 Actuation lever
E80-163068	3 Cover plate
W136178	4 Protection sleeve (incl. 3 countersunk screws)
E99-44923	Maintenance spray

## Technical explanations

## TECHNICAL EXPLANATIONS

**Abbreviations/Definitions**

For explanation of abbreviations and definitions of terms see applicable Technical Appendix of the corresponding catalog or [www.weh.com](http://www.weh.com)

**Illustrations**

The illustrations and/or images used in these data sheet are particularly provided for illustrative purposes only and may differ in some details from the actual product. For binding information, please refer to your individual orders.

**Safe product selection**

Our WEH® Products are designed to be operated by qualified professional users (insofar as WEH® Products are also designed to be operated by other users in individual cases, this is explicitly stated in the corresponding operating instructions). Please note that WEH does not know your system and therefore - also due to the large number of different potential applications of WEH® Products - cannot perform tests on all potential types of application. You alone are responsible for the selection, configuration and suitability of WEH® Products, especially according to the requirements of your system. Before purchasing WEH® Products, please particularly ensure that our products are compatible with your intended use, your performance data, your material and fluids, your system concept and your system limits according to our product specifications. Please also consider your technical and legal requirements for operation, handling and maintenance. The quality and safety of WEH® Products is our highest priority. For this reason, WEH® Products may not be used outside the specifications in the relevant data sheets and product descriptions. If you are not sure whether the WEH® Product is suitable for your system and intended use, please contact us in advance. We also strongly recommend that you refrain from using third-party spare parts or a combination of WEH® Products with unsuitable third-party products. You alone are responsible for reviewing the suitability of third-party products. WEH® Products and WEH® Spare parts comply with our quality and safety standards.

**Service life**

WEH® Products are generally products which may be subject to wear and fatigue during operation and depending on your individual application/use. For details - in particular regarding the corresponding minimum inspection and maintenance intervals - please refer to the respective operating instructions for the WEH® Product.

**Explanation on the Pressure Equipment Directive**

These WEH® Products are generally classified as pressure accessories in accordance with Article 2 (5) of the Pressure Equipment Directive 2014/68/EU and are considered to be similar to piping. These WEH® Products may not be used as safety accessories. Furthermore, it is pointed out, that these WEH® Products are designed and placed on the market in accordance with the requirements of Article 4 (3) of the Pressure Equipment Directive 2014/68/EU. The assessment with regard to a different classification can, however, be made on request.

**External change management**

WEH reserves the right to update, optimise and adjust its products continuously. This may result in corresponding changes of the product. Customers will be informed proactively or unsolicited by WEH only in individual cases about product updates, product optimisations and/or product adaptations that have been carried out. You are free to contact WEH at any time to request information about any product updates, product optimisations and/or product adjustments.

© All rights reserved, WEH GmbH Verbindungstechnik.

Any unauthorized copying, distribution or other use of the copyrighted content is strictly forbidden without the written consent of WEH GmbH Verbindungstechnik.

Upon transmission of a newer version of this document, all previous versions are no longer valid. In principle, the latest version of the document is valid. This can be found at [www.weh.com](http://www.weh.com).

Our General Terms and Conditions and the Agreement on Protection of Know-How and Quality Assurance ([www.weh.com](http://www.weh.com)) shall apply to deliveries and other services, unless expressly agreed otherwise.

We do not accept any General Terms and Conditions of the purchaser.

WEH® is a registered trademark of WEH GmbH Verbindungstechnik.

**» Contact**

More questions? – Great! Don't hesitate to contact our experts.

Manufacturer:

**WEH GmbH Gas Technology**

Josef-Henle-Str. 1

89257 Illertissen / Germany

Phone: +49 7303 95190-0

E-Mail: [h2sales@weh.com](mailto:h2sales@weh.com)

Website: [www.weh.com](http://www.weh.com)