

# Type **TSF2 H<sub>2</sub>**

WEH<sup>®</sup> Filter

for installation in hydrogen vehicles and fueling stations



General

**DESCRIPTION**



**Features**

- For clean filtered hydrogen
- Filter insert can be cleaned
- For installation onboard H<sub>2</sub> vehicles and in H<sub>2</sub> fueling stations
- Also suitable as prefilter for inline breakaway couplings

When refueling hydrogen, it can often happen that hydrogen with dirt particles is fueled. These contaminated particles in the gas may cause damage to the sealing components. WEH therefore offers the WEH® TSF2 H<sub>2</sub> Filter for clean filtered hydrogen. Solid particles are reliably captured.

The filter element can be removed and can be reused after cleaning.

The WEH® TSF2 H<sub>2</sub> Filter is mainly used in fueling stations and plants.

To meet the different requirements of dispenser manufacturers, a wide variety of connection configurations are available - tube fitting / female thread on both ends or female and male thread.

For use as a prefilter with WEH® TSA2 H<sub>2</sub> Inline breakaway coupling, WEH offers a special design with male and female thread.

**Application**

Filter for installation in hydrogen vehicles and fueling stations.

**TECHNICAL DATA**

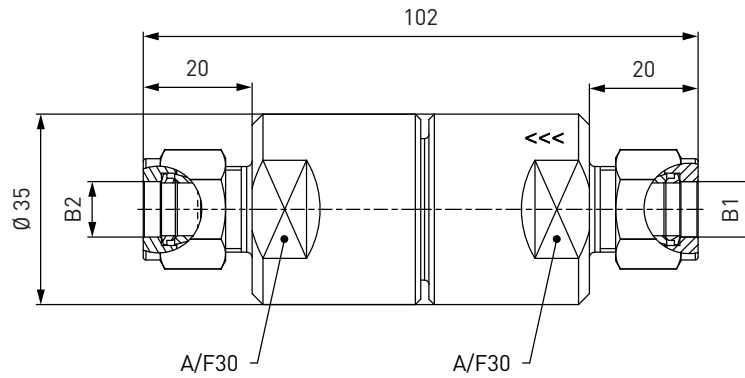
Characteristics	Basic version
Nominal bore (DN)	Depending on design
Pressure range	PN = 35 MPa   PS = 45 MPa
Temperature range	-40 °C up to +85 °C
Material	Corrosion resistant stainless steel
Sealing material	Hydrogen resistant
Filter element	40 µm or 20 µm
Design	Incl. fittings (only for filters with tube fitting)
Conformity / Tests / Approvals	On request

Other designs on request

Ordering

**ORDERING** | WEH® TSF2 H<sub>2</sub> Filter with tube fitting on both sides

approx. dimensions (mm)

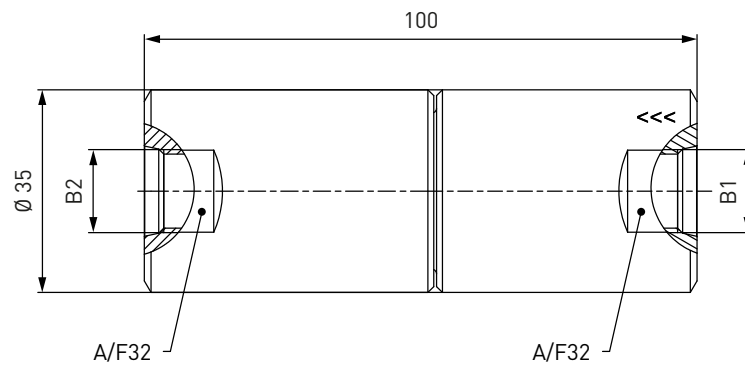


Part No.	Description	Filter (µm)	DN	Pressure (PS)	B1	B2
<b>C1-18487-X01</b>	TSF2 H <sub>2</sub>	40	8	45 MPa	Rohr Ø 3/8"	Rohr Ø 3/8"
<b>C1-36033-X01</b>	TSF2 H <sub>2</sub>	40	8	45 MPa	Rohr Ø 10*	Rohr Ø 10*

\* double ferrule fitting

**ORDERING** | WEH® TSF2 H<sub>2</sub> Filter with female thread on both sides

ca.-Maße (mm)



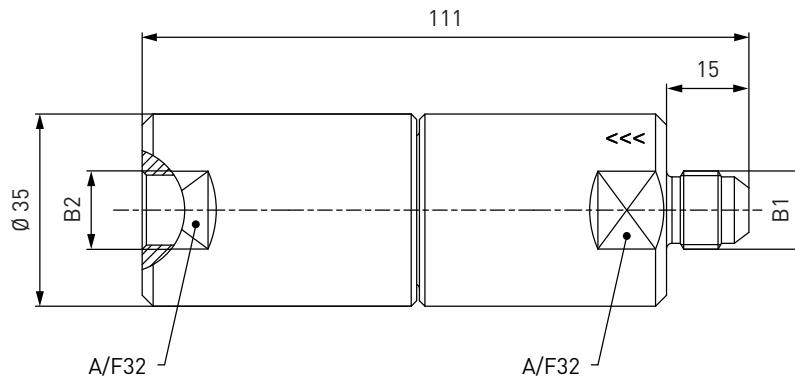
Part No.	Description	Filter (µm)	DN	Pressure (PS)	B1 (female thread)	B2 (female thread)
<b>C1-34576-X01</b>	TSF2 H <sub>2</sub>	40	8	45 MPa	UNF 9/16"-18*	UNF 9/16"-18*

\* acc. to SAE J1926-1

Ordering / Spare parts

**ORDERING** | WEH® TSF2 H<sub>2</sub> Filter with male and female thread (also suitable as prefilter for TSA2 H<sub>2</sub>)

approx. dimensions (mm)



Part No.	Description	Filter (µm)	DN	Pressure (PS)	B1 (male thread)	B2 (female thread)
<b>C1-134710-X01</b>	TSF2 H <sub>2</sub>	40	8	45 MPa	UNF 9/16"-18*	UNF 9/16"-18*
<b>C1-134711-X01</b>	TSF2 H <sub>2</sub>	20	8	45 MPa	UNF 9/16"-18*	UNF 9/16"-18*

\* acc. to SAE J514, 37° cone

Other connection sizes and types (e.g. Cone and Thread Fittings or VOSSLok<sup>40</sup>) on request.

**SPARE PARTS**

Various parts are available as spares for the WEH® TSF2 H<sub>2</sub> Filter.

Part No.	Description
<b>E69-9061</b>	Wire filter insert 40 µm (incl. spring and o-ring)
<b>W67754</b>	Wire filter insert 20 µm (incl. spring and o-ring)

## Technical explanations

## TECHNICAL EXPLANATIONS

**Abbreviations/Definitions**

For explanation of abbreviations and definitions of terms see applicable Technical Appendix of the corresponding catalog or [www.weh.com](http://www.weh.com)

**Illustrations**

The illustrations and/or images used in these data sheet are particularly provided for illustrative purposes only and may differ in some details from the actual product. For binding information, please refer to your individual orders.

**Safe product selection**

Our WEH® Products are designed to be operated by qualified professional users (insofar as WEH® Products are also designed to be operated by other users in individual cases, this is explicitly stated in the corresponding operating instructions). Please note that WEH does not know your system and therefore - also due to the large number of different potential applications of WEH® Products - cannot perform tests on all potential types of application. You alone are responsible for the selection, configuration and suitability of WEH® Products, especially according to the requirements of your system. Before purchasing WEH® Products, please particularly ensure that our products are compatible with your intended use, your performance data, your material and fluids, your system concept and your system limits according to our product specifications. Please also consider your technical and legal requirements for operation, handling and maintenance. The quality and safety of WEH® Products is our highest priority. For this reason, WEH® Products may not be used outside the specifications in the relevant data sheets and product descriptions. If you are not sure whether the WEH® Product is suitable for your system and intended use, please contact us in advance. We also strongly recommend that you refrain from using third-party spare parts or a combination of WEH® Products with unsuitable third-party products. You alone are responsible for reviewing the suitability of third-party products. WEH® Products and WEH® Spare parts comply with our quality and safety standards.

**Service life**

WEH® Products are generally products which may be subject to wear and fatigue during operation and depending on your individual application/use. For details - in particular regarding the corresponding minimum inspection and maintenance intervals - please refer to the respective operating instructions for the WEH® Product.

**Explanation on the Pressure Equipment Directive**

These WEH® Products are generally classified as pressure accessories in accordance with Article 2 (5) of the Pressure Equipment Directive 2014/68/EU and are considered to be similar to piping. These WEH® Products may not be used as safety accessories. Furthermore, it is pointed out, that these WEH® Products are designed and placed on the market in accordance with the requirements of Article 4 (3) of the Pressure Equipment Directive 2014/68/EU. The assessment with regard to a different classification can, however, be made on request.

**External change management**

WEH reserves the right to update, optimise and adjust its products continuously. This may result in corresponding changes of the product. Customers will be informed proactively or unsolicited by WEH only in individual cases about product updates, product optimisations and/or product adaptations that have been carried out. You are free to contact WEH at any time to request information about any product updates, product optimisations and/or product adjustments.

© All rights reserved, WEH GmbH Verbindungstechnik.

Any unauthorized copying, distribution or other use of the copyrighted content is strictly forbidden without the written consent of WEH GmbH Verbindungstechnik.

Upon transmission of a newer version of this document, all previous versions are no longer valid. In principle, the latest version of the document is valid. This can be found at [www.weh.com](http://www.weh.com).

Our General Terms and Conditions and the Agreement on Protection of Know-How and Quality Assurance ([www.weh.com](http://www.weh.com)) shall apply to deliveries and other services, unless expressly agreed otherwise.

We do not accept any General Terms and Conditions of the purchaser.

WEH® is a registered trademark of WEH GmbH Verbindungstechnik.

**» Contact**

More questions? – Great! Don't hesitate to contact our experts.

Manufacturer:

**WEH GmbH Gas Technology**

Josef-Henle-Str. 1

89257 Illertissen / Germany

Phone: +49 7303 95190-0

E-Mail: [h2sales@weh.com](mailto:h2sales@weh.com)

Website: [www.weh.com](http://www.weh.com)