

Type **TSF2 H₂**

WEH[®] Coalescing filter

for installation in hydrogen vehicles and fueling stations



General

DESCRIPTION



Features

- Fine filter with high particle retention capacity (efficiency of approx. 99.9 % > 0.3 µm)
- For installation in H₂ vehicles and fueling stations
- Protection of critical components in the fuel system
- Wear resistant and corrosion resistant
- Ease of maintenance

When refueling with hydrogen, clean, filtered gases are a basic requirement for the proper functioning of the vehicle and fueling station components. The WEH® TSF2 H₂ Coalescing filter was developed to remove contaminants from the gas flow.

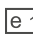
Coalescing filters are even more effective than normal particle filters due to their high particle retention capacity. The TSF2 H₂ filters the gas flow and reliably and safely removes the contaminated components contained in the gas, such as oil, water aerosols and dirt particles. These contaminated particles are separated by the coalescing filter. Hydrogen flows through the filter, whereas the slower flowing components such as oil, water and other liquid aerosols coalesce, drop to the bottom of the filter where they can be separated out via the drain port.

The WEH® TSF2 H₂ is easy to maintain and can also be installed in vehicles and fueling stations later on.

Application

Coalescing filter for installation in hydrogen vehicles and fueling stations.

TECHNICAL DATA

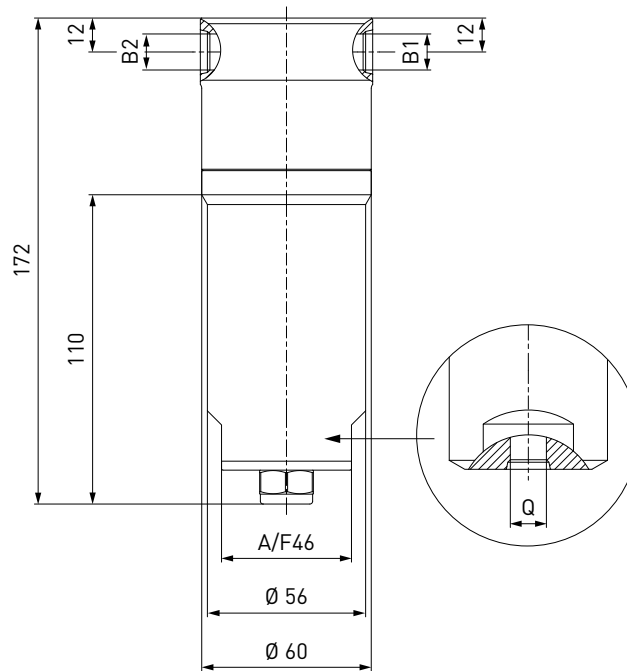
Characteristics	Basic version
Nominal bore (DN)	10 mm
Pressure range	PN = 35 MPa PS = 45 MPa
Temperature range	-40 °C up to +85 °C
Material	Corrosion resistant stainless steel
Sealing material	Hydrogen resistant
Filter element	< 1 µm
Design	Incl. plug
Conformity / Tests / Approvals	 00 0004 (Regulation (EC) No. 79/2009)

Other designs on request

Ordering / Spare parts

ORDERING | WEH® TSF2 H₂ Coalescing filter with filter cartridge Ø 38 mm

approx. dimensions (mm)



Part No.	Description	Pressure (PS)	B1 (female thread)	B2 (female thread)	Q (female thread)
C1-89635	TSF2 H ₂ (EC79)	45 MPa	UNF 9/16"-18*	UNF 9/16"-18*	UNF 9/16"-18*
C1-120710-X01	TSF2 H ₂	45 MPa	UNF 9/16"-18*	UNF 9/16"-18*	UNF 9/16"-18*

* acc. to SAE J1926-1

Other connection sizes and types (e.g. Cone and Thread Fittings or VOSSLok⁴⁰) on request.

SPARE PARTS

Various parts are available as spares for the WEH® TSF2 H₂ Coalescing filter.

Plug

Plug with suitable o-ring (of polyurethane) for closing the drain port 'Q' (end of the filter).



Part No.	Description	Port (male thread)
E69-93336	Plug with o-ring	UNF 9/16"-18*

* acc. to SAE J1926-1

Spare parts set

Suitable for TSF2 H₂ coalescing filter.

Part No.	Description
B200B-168192	Spare parts set consisting of filter cartridge Ø 38 mm, back-up ring and 2 o-rings

Technical explanations

TECHNICAL EXPLANATIONS

Abbreviations/Definitions

For explanation of abbreviations and definitions of terms see applicable Technical Appendix of the corresponding catalog or www.weh.com

Illustrations

The illustrations and/or images used in these data sheet are particularly provided for illustrative purposes only and may differ in some details from the actual product. For binding information, please refer to your individual orders.

Safe product selection

Our WEH® Products are designed to be operated by qualified professional users (insofar as WEH® Products are also designed to be operated by other users in individual cases, this is explicitly stated in the corresponding operating instructions). Please note that WEH does not know your system and therefore - also due to the large number of different potential applications of WEH® Products - cannot perform tests on all potential types of application. You alone are responsible for the selection, configuration and suitability of WEH® Products, especially according to the requirements of your system. Before purchasing WEH® Products, please particularly ensure that our products are compatible with your intended use, your performance data, your material and fluids, your system concept and your system limits according to our product specifications. Please also consider your technical and legal requirements for operation, handling and maintenance. The quality and safety of WEH® Products is our highest priority. For this reason, WEH® Products may not be used outside the specifications in the relevant data sheets and product descriptions. If you are not sure whether the WEH® Product is suitable for your system and intended use, please contact us in advance. We also strongly recommend that you refrain from using third-party spare parts or a combination of WEH® Products with unsuitable third-party products. You alone are responsible for reviewing the suitability of third-party products. WEH® Products and WEH® Spare parts comply with our quality and safety standards.

Service life

WEH® Products are generally products which may be subject to wear and fatigue during operation and depending on your individual application/use. For details - in particular regarding the corresponding minimum inspection and maintenance intervals - please refer to the respective operating instructions for the WEH® Product.

Explanation on the Pressure Equipment Directive

These WEH® Products are generally classified as pressure accessories in accordance with Article 2 (5) of the Pressure Equipment Directive 2014/68/EU and are considered to be similar to piping. These WEH® Products may not be used as safety accessories. Furthermore, it is pointed out, that these WEH® Products are designed and placed on the market in accordance with the requirements of Article 4 (3) of the Pressure Equipment Directive 2014/68/EU. The assessment with regard to a different classification can, however, be made on request.

External change management

WEH reserves the right to update, optimise and adjust its products continuously. This may result in corresponding changes of the product. Customers will be informed proactively or unsolicited by WEH only in individual cases about product updates, product optimisations and/or product adaptations that have been carried out. You are free to contact WEH at any time to request information about any product updates, product optimisations and/or product adjustments.

© All rights reserved, WEH GmbH Verbindungstechnik.

Any unauthorized copying, distribution or other use of the copyrighted content is strictly forbidden without the written consent of WEH GmbH Verbindungstechnik.

Upon transmission of a newer version of this document, all previous versions are no longer valid. In principle, the latest version of the document is valid. This can be found at www.weh.com.

Our General Terms and Conditions and the Agreement on Protection of Know-How and Quality Assurance (www.weh.com) shall apply to deliveries and other services, unless expressly agreed otherwise.

We do not accept any General Terms and Conditions of the purchaser.

WEH® is a registered trademark of WEH GmbH Verbindungstechnik.

» Contact

More questions? – Great! Don't hesitate to contact our experts.

Manufacturer:

WEH GmbH Gas Technology

Josef-Henle-Str. 1

89257 Illertissen / Germany

Phone: +49 7303 95190-0

E-Mail: h2sales@weh.com

Website: www.weh.com