



WEH[®] Check valves

for liquid and gaseous media



© All rights reserved, WEH GmbH Verbindungstechnik.

Any unauthorized copying, distribution or other use of the copyrighted content is strictly forbidden without the written consent of WEH GmbH Verbindungstechnik.

Upon transmission of a newer version of this document, all previous versions are no longer valid. In principle, the latest version of the document is valid. This can be found at www.weh.com.

Our General Terms and Conditions and the Agreement on Protection of Know-How and Quality Assurance (www.weh.com) shall apply to deliveries and other services, unless expressly agreed otherwise.

We do not accept any General Terms and Conditions of the purchaser.

WEH® is a registered trademark of WEH GmbH Verbindungstechnik.

» Table of contents

1 	Overviews	4
2 	Stainless steel check valves	14
2.1	Product family TVR200	14
2.2	Product family TVR2	32
2.3	Product family TVR300	44
2.4	Product family TVR400	50
3 	Steel check valves	56
3.1	Product family TVR60	56
4 	Brass check valves	62
4.1	Product family TVR61	62
5 	Special solutions	68
6 	Further information	70
6.1	Flow curves	70
6.2	Technical appendix	72
6.3	Brochure data	75

Overviews

of the WEH[®] Check valve product portfolio

Contents

1.1	General information	6
1.2	Overview product families	7
1.3	Overview product series	8
1.4	Overview product series & connection configurations	8
1.5	Overview connection sizes	10
1.6	Overview pressure ranges	11
1.7	Overview housing material	11
1.8	Availability	12
1.9	Information on your request	13





1.1 General information

Simply unbeatable – check valves for every application

As a leading manufacturer of fluid technology components WEH offers an extensive product range of high-performance check valves as well as special solutions developed individually according to our customers' specific needs.

WEH® Check valves are used in numerous industrial sectors, for example in general industry in mechanical engineering involving CNC and plant manufacturers, microwave plants, pump and compressor manufacturers and water treatment plants. They are also used in the pharmaceutical, chemical and food industries, medical technology (e.g. in autoclaves), conveyor technology or in the automotive industry. But they are also used as non-return protection in the gas sector.

Possible applications are just as varied as the design and material composition of the valves. Due to different requirements concerning temperature ranges, media mixtures, cracking pressures, materials, etc. in the various industries, WEH offers numerous designs and variants of check valves in various materials such as stainless steel, steel and brass.

WEH® Check valves were only developed for reliable return flow prevention. They are not designed to be used as filling or safety valves. The separation or shut off between different media or a medium and vacuum also does not represent a fundamental intended use. If you have such an application or a similar application, please contact us!

Only use WEH® Original parts and never use combinations of parts from different manufacturers. Do also not replace any WEH® Original parts for parts from different manufacturers.

Overview abbreviations / definitions

The abbreviations for media ports connections used in this catalogue are defined as follows:

Example: TVR200-S1-A01

B1	Media inlet
B2	Media outlet



For further abbreviations and definitions and their explanations, please see technical appendix on page 72.

1.2 Overview product families

In the following you will find images of the different product families in the WEH® Check valve product portfolio. The table below contains the most important features of the WEH® Check valve product families.



WEH® TVR200 Check valves



WEH® TVR2 Check valves



WEH® TVR300 Check valves



WEH® TVR400 Screw-in valves



TVR60 Check valves



TVR61 Check valves

Product family	Application	Pressure range	DN	Housing material	Connection types	Page
TVR200	Check valves for general applications	0 - 250 bar	3 up to 6 mm	Stainless steel	Double ferrule fitting, female thread, male thread	14
TVR2	Check valves for general applications	0 - 250 bar	10 up to 20 mm	Stainless steel	Double ferrule fitting, female thread, male thread	32
TVR300	Miniature check valves for general applications	0 - 100 bar	3 up to 4 mm	Stainless steel	Female thread	44
TVR400	Screw-in valves for general applications	0 - 250 bar	3.6 up to 7 mm	Stainless steel	Male thread	50
TVR60	Check valves for simple applications	0 - 300 bar	4 up to 50 mm	Steel	Female thread	56
TVR61	Check valves for simple applications	0 - 40 bar	10 up to 50 mm	Brass	Female thread	62

1.3 Overview product series

In the following table you will find an overview of the available WEH® Check valve product series.

Product series	Pressure range	Housing material	Connection types	Page
TVR200-S1	0 - 250 bar	Stainless steel	Double ferrule fitting Female thread Male thread	18
TVR2-S1	0 - 250 bar	Stainless steel	Double ferrule fitting Female thread Male thread	36
TVR300-S1	0 - 100 bar	Stainless steel	Female thread	48
TVR400-S1	0 - 250 bar	Stainless steel	Male thread	54
TVR60-S1	0 - 300 bar	Steel	Female thread	60
TVR61-S1	0 - 40 bar	Brass	Female thread	66

1.4 Overview product series & connection configurations

In the following table you will find overviews of the available WEH® Check valve product series with the corresponding connection configuration.

Product series TVR200-S1

Product series	Media inlet B1	Media outlet B2	Page
TVR200-S1-A01	Double ferrule fitting	Double ferrule fitting	20
TVR200-S1-A02	Female thread	Female thread	22
TVR200-S1-A03	Male thread	Male thread	24
TVR200-S1-A10	Double ferrule fitting	Female thread	25
TVR200-S1-A11	Double ferrule fitting	Male thread	26
TVR200-S1-A12	Female thread	Double ferrule fitting	27
TVR200-S1-A13	Female thread	Male thread	28
TVR200-S1-A14	Male thread	Double ferrule fitting	29
TVR200-S1-A15	Male thread	Female thread	30

Product series TVR2-S1

Product series	Media inlet B1	Media outlet B2	Page
TVR2-S1-A01	Double ferrule fitting	Double ferrule fitting	38
TVR2-S1-A02	Female thread	Female thread	39
TVR2-S1-A03	Male thread	Male thread	40
TVR2-S1-A10	Double ferrule fitting	Female thread	42
TVR2-S1-A11	Double ferrule fitting	Male thread	42
TVR2-S1-A12	Female thread	Double ferrule fitting	42
TVR2-S1-A13	Female thread	Male thread	42
TVR2-S1-A14	Male thread	Double ferrule fitting	42
TVR2-S1-A15	Male thread	Female thread	42

Product series TVR300-S1

Product series	Media inlet B1	Media outlet B2	Page
TVR300-S1-A02	Female thread	Female thread	49

Product series TVR400-S1

Product series	Media inlet B1	Media outlet B2	Page
TVR400-S1-A20	Male thread	-	55

Product series TVR60-S1

Product series	Media inlet B1	Media outlet B2	Page
TVR60-S1-A02	Female thread	Female thread	61

Product series TVR61-S1

Product series	Media inlet B1	Media outlet B2	Page
TVR61-S1-A02	Female thread	Female thread	67

1.5 Overview connection sizes

In the following table you will find overviews of the available connection sizes of the WEH® Check valves.



Connection sizes double ferrule fitting

Connection size B1	Pressure range	Housing material	DN	Product series	Page
Ø 6 mm	0 - 250 bar	Stainless steel	3 up to 5 mm	TVR200-S1	18
Ø 8 mm	0 - 250 bar	Stainless steel	3 up to 6 mm	TVR200-S1	18
Ø 10 mm	0 - 250 bar	Stainless steel	3 up to 6 mm	TVR200-S1	18
Ø 12 mm	0 - 250 bar	Stainless steel	3 up to 6 mm	TVR200-S1	18
	0 - 250 bar	Stainless steel	10 mm	TVR2-S1	36
Ø 16 mm	0 - 250 bar	Stainless steel	14 mm	TVR2-S1	36



Connection sizes G-thread

Connection size B1	Pressure range	Housing material	DN	Product series	Page
G1/8"	0 - 100 bar	Stainless steel	3 mm	TVR300-S1	48
	0 - 250 bar	Stainless steel	3 up to 6 mm	TVR200-S1	18
	0 - 250 bar	Stainless steel	3.6 mm	TVR400-S1	54
	0 - 300 bar	Steel	4 mm	TVR60-S1	60
G1/4"	0 - 40 bar	Brass	8 mm	TVR61-S1	66
	0 - 100 bar	Stainless steel	4 mm	TVR300-S1	48
	0 - 250 bar	Stainless steel	4 up to 6 mm	TVR200-S1	18
	0 - 250 bar	Stainless steel	6 mm	TVR400-S1	54
	0 - 300 bar	Steel	6 mm	TVR60-S1	60
G3/8"	0 - 40 bar	Brass	10 mm	TVR61-S1	66
	0 - 250 bar	Stainless steel	10 up to 14 mm	TVR2-S2	36
	0 - 250 bar	Stainless steel	7 mm	TVR400-S1	54
	0 - 300 bar	Steel	10 mm	TVR60-S1	60
G1/2"	0 - 40 bar	Brass	15 mm	TVR61-S1	66
	0 - 250 bar	Stainless steel	14 mm	TVR2-S1	36
	0 - 300 bar	Steel	13 mm	TVR60-S1	60
G3/4"	0 - 30 bar	Brass	20 mm	TVR61-S1	66
	0 - 250 bar	Stainless steel	16 mm	TVR2-S1	36
	0 - 300 bar	Steel	20 mm	TVR60-S1	60
G1"	0 - 30 bar	Brass	25 mm	TVR61-S1	66
	0 - 250 bar	Stainless steel	20 mm	TVR2-S1	36
	0 - 300 bar	Steel	25 mm	TVR60-S1	60
G1 1/4"	0 - 25 bar	Brass	32 mm	TVR61-S1	66
	0 - 300 bar	Steel	32 mm	TVR60-S1	60
G1 1/2"	0 - 25 bar	Brass	40 mm	TVR61-S1	66
	0 - 300 bar	Steel	40 mm	TVR60-S1	60
G2"	0 - 20 bar	Brass	50 mm	TVR61-S1	66
	0 - 200 bar	Steel	50 mm	TVR60-S1	60



Connection sizes NPT-thread

Connection size B1	Pressure range	Housing material	DN	Product series	Page
NPT 1/8"	0 - 250 bar	Stainless steel	6 mm	TVR200-S1	18
NPT 1/4"	0 - 250 bar	Stainless steel	6 mm	TVR200-S1	18



Connection sizes metric thread

Connection size B1	Pressure range	Housing material	DN	Product series	Page
M10x1.0	0 - 250 bar	Stainless steel	3.6 mm	TVR400-S1	54
M14x1.5	0 - 250 bar	Stainless steel	6 mm	TVR400-S1	54
M18x1.5	0 - 250 bar	Stainless steel	7 mm	TVR400-S1	54

1.6 Overview pressure ranges

In the following table you will find an overview of the available pressure ranges of the WEH® Check valve product portfolio.

Pressure range	Housing material	DN	Product series	Page
0 - 40 bar	Brass	10 up to 50 mm	TVR61-S1	64
0 - 100 bar	Stainless steel	3 up to 4 mm	TVR300-S1	46
0 - 250 bar	Stainless steel	3 up to 6 mm	TVR200-S1	18
	Stainless steel	10 up to 20 mm	TVR2-S1	36
	Stainless steel	3.6 up to 7 mm	TVR400-S1	52
0 - 300 bar	Steel	4 up to 50 mm	TVR60-S1	58

1.7 Overview housing material

In the following table you will find an overview of the available housing material of the WEH® Check valve product portfolio.

Housing material	Pressure range	DN	Product series	Page
Stainless steel	0 - 100 bar	3 up to 4 mm	TVR300-S1	48
	0 - 250 bar	3 up to 6 mm	TVR200-S1	18
	0 - 250 bar	10 up to 20 mm	TVR2-S1	36
	0 - 250 bar	3.6 up to 7 mm	TVR400-S1	54
Steel	0 - 300 bar	4 up to 50 mm	TVR60-S1	60
Brass	0 - 40 bar	10 up to 50 mm	TVR61-S1	66

1.8 Availability

In the following you will find the definition for the availability of our check valves in order to be able to offer you as a customer the greatest possible transparency in the procurement of your WEH® Check valve. The availability can be found in the 'AVL' feature in the respective ordering table.

WEH® Ready-Made [RM]

This product variant is in stock and therefore usually available at short notice. The average time* until the goods are ready for dispatch is 3 days.

WEH® At-Hand [AH]

This product variant can be configured individually after receiving your request. We achieve short delivery times for you on the basis of standardized components that are in stock.

After your order, the respective product variant is produced individually. The average time* until the goods are ready for dispatch is 10 days.

** The actual duration may vary depending on the respective volume of demand. The actual delivery time can be found in your offer / order confirmation.*

1.9 Information on your request

In order to be able to process your inquiry successfully, we usually need the following information:

1. Media inlet B1: connection configuration / connection size	e.g. female thread G1/8"
2. Media outlet B2: connection configuration / connection size	e.g. male thread G1/8"
3. Nominal bore (required flow rate)	e.g. 10 mm
4. Max. allowable operating pressure	e.g. 250 bar
5. Cracking pressure	e.g. 0.1 bar
6. Temperature range	e.g. -40 °C up to +200 °C
7. Medium	e.g. air
8. Housing material	e.g. stainless steel 1.4404
9. Sealing material	e.g. FKM
10. Description of application	e.g. installation in a pipeline ...
11. Demand / quantity	e.g. 50 units

For reasons of precaution, we'd like to point out that

a) regarding the delivery of each article acc. to the respective order confirmation - in particular concerning ECE / EC79 articles - WEH does not confirm the fulfilment of additional requirements of the concerned end customer,

b) WEH is not subject to any external reporting obligation with regard to external change management (see page 74) and

c) WEH does not confirm the replacement of the product in the form of a regular series delivery.

Exclusions acc. to a) - c) can be agreed with the conclusion of a customer-specific project with corresponding special conditions.

CHECK VALVES FOR GENERAL APPLICATIONS

TVR200 of stainless steel

for use with liquid and gaseous media

Features & benefits

- ▶ Stainless steel
- ▶ High leak tightness
- ▶ Valve seals are protected from media flow
- ▶ Wear and corrosion resistant
- ▶ Low-noise opening and closing
- ▶ Low cracking pressure
- ▶ Max. operating pressure up to 250 bar



» Product family TVR200

Description

The WEH® TVR200 Check valves made of stainless steel are ideal for applications with liquid and gaseous media up to max. 250 bar. The possible applications are just as varied as the design and the materials used.

The check valves are available in various connection configurations, such as double ferrule fittings, female and male threads and a nominal bore of up to 6 mm. For larger nominal bores the WEH® TVR2 Check valve is available.

Due to the high quality materials they are extremely wear-resistant, corrosion-resistant and durable. The check valves, which are very silent in use even under high flow rates, are characterized in particular by their very low cracking pressure and their optimum tightness which depends, among other things, on the setting of the cracking pressure.

The WEH® TVR200 are equipped with a ball seal. The internal seals are arranged so that they are protected from the media flow. This prevents damage to the seals from any dirt particles on the sealing components within the unit.

WEH® TVR200 Check valves are equipped with a FKM seal as standard. Other sealing materials are available on request. It is the customer's responsibility to clarify the media compatibility.

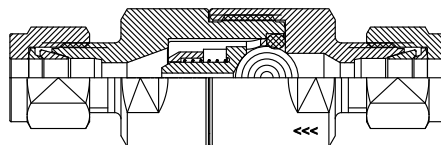
Intended use

The WEH® TVR200 Check valves were only developed for reliable return flow prevention in a gaseous or liquid media flow. They are not designed to be used as filling or safety valves. The separation or shut off between different media or a medium and vacuum also does not represent a fundamental intended use.

If you have such an application or a similar application, please contact us!

The WEH® TVR200 Check valves are used in mechanical and plant engineering, chemical / pharmaceutical industry, conveyor technology, food industry, medical technology, etc.

Sealing concept



Ball seal construction

Flow values

In the table below you will find the flow rates of the various nominal bores of our WEH® TVR200 Stainless steel check valves.

Nominal bore (DN)	Kv (Cv) value	Nominal bore (DN)	Kv (Cv) value
3 mm	0.17 (0.19)	4 mm	0.2 (0.2)
5 mm	0.4 (0.5)	6 mm	0.6 (0.7)

The flow curves were determined on the basis of the DIN/EN 60534-2 standard and refer to a cavitation-free flow (water). System-sided constrictions at the inlet and outlet can reduce the flow rate.

» Product family TVR200

Overview product series

Product series	Pressure range	Housing material	Connection types	Page
TVR200-S1	0 - 250 bar	Stainless steel	Double ferrule fitting Female thread Male thread	18

Overview product series & connection configurations

Product series	Media inlet B1	Media outlet B2	Page
TVR200-S1-A01	Double ferrule fitting	Double ferrule fitting	20
TVR200-S1-A02	Female thread	Female thread	22
TVR200-S1-A03	Male thread	Male thread	24
TVR200-S1-A10	Double ferrule fitting	Female thread	25
TVR200-S1-A11	Double ferrule fitting	Male thread	26
TVR200-S1-A12	Female thread	Double ferrule fitting	27
TVR200-S1-A13	Female thread	Male thread	28
TVR200-S1-A14	Male thread	Double ferrule fitting	29
TVR200-S1-A15	Male thread	Female thread	30

» Product series TVR200-S1 | 0 up to 250 bar

Technical data

The following illustrations are examples of WEH® Check valves of the TVR200 product family.



Characteristics	Preferred variant space	Extended variant space
Product series	TVR200-S1	TVR200-S1
Connection configuration	A01, A02, A03	A01, A02, A03, A10, A11, A12, A13, A14, A15
Connection sizes for media inlet B1 / media outlet B2	<ul style="list-style-type: none"> • Tube Ø 6 mm, Ø 8 mm, Ø 10 mm, Ø 12 mm • G1/8", G1/4" • NPT 1/8", NPT 1/4" 	<ul style="list-style-type: none"> • Tube Ø 6 mm, Ø 8 mm, Ø 10 mm, Ø 12 mm • G1/8", G1/4" • NPT 1/8", NPT 1/4"
Nominal bore (DN)	Acc. to design	Acc. to design
Max. allowable operating pressure PS	250 bar	250 bar
Cracking pressure PC*	<ul style="list-style-type: none"> • 0.1 bar • 0.5 bar 	<ul style="list-style-type: none"> • 0.1 bar • 0.2 bar • 0.5 bar • 1 bar
Temperature range	-40 °C up to +200 °C	Depending on sealing material
Leak rate	1×10^{-4} mbar x l/s	1×10^{-4} mbar x l/s
Housing material	Stainless steel	Stainless steel
Spring material	Stainless steel	Stainless steel
Sealing material DW	FKM	<ul style="list-style-type: none"> • FKM • EPDM
Lubricant	E99-4	E99-4
Sealing concept	Ball sealing	Ball sealing
Flow direction	B1 → B2	B1 → B2

* Please note that the cracking pressures may differ due to tolerances. The cracking pressure basically applies to the horizontal mounting of the check valve. For other mounting directions, the values can differ.

Other designs on request

» Product series TVR200-S1 | 0 up to 250 bar

Possible connection configurations

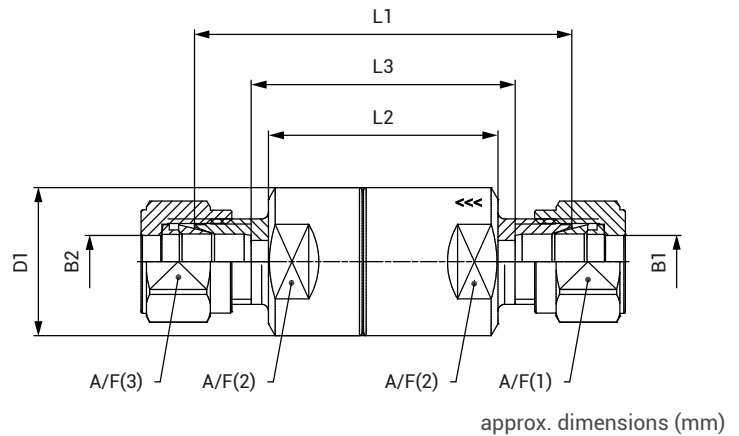
In addition to the table of technical characteristics (see page 18), the following possible connection configurations of WEH® Check valves of the TVR200 product family are listed. The connection configuration is part of the product series.

Connection configuration	Media inlet B1	Media outlet B2
A01	Double ferrule fitting	Double ferrule fitting
A02	Female thread	Female thread
A03	Male thread	Male thread
A10	Double ferrule fitting	Female thread
A11	Double ferrule fitting	Male thread
A12	Female thread	Double ferrule fitting
A13	Female thread	Male thread
A14	Male thread	Double ferrule fitting
A15	Male thread	Female thread

» Product series TVR200-S1 | 0 up to 250 bar

Ordering | TVR200-S1-A01 - double ferrule fitting on both sides

Inlet B1: double ferrule fitting / outlet B2: double ferrule fitting



B1 / B2: double ferrule fitting

Connection size: media inlet B1 = media outlet B2

Check valves of the preferred variant space:

Part No.	B1	B2	DN	PC (bar)	DW	L1	L2	L3	D1	A/F(1) / A/F(3)	A/F(2)	AVL*
C1-170000	Ø 6	Ø 6	5	0.1	FKM	56	34	40	22	14	19	RM
C1-170041	Ø 6	Ø 6	5	0.5	FKM	56	34	40	22	14	19	AH
C1-170043	Ø 8	Ø 8	6	0.1	FKM	57	33	40	22	16	19	RM
C1-170046	Ø 8	Ø 8	6	0.5	FKM	57	33	40	22	16	19	RM
C1-170054	Ø 10	Ø 10	6	0.1	FKM	57	33	38	22	19	19	RM
C1-170055	Ø 10	Ø 10	6	0.5	FKM	57	33	38	22	19	19	AH
C1-170053	Ø 12	Ø 12	6	0.1	FKM	57	33	32	22	22	19	RM
C1-170058	Ø 12	Ø 12	6	0.5	FKM	57	33	32	22	22	19	AH

* AVL: availability see page 12

» Product series TVR200-S1 | 0 up to 250 bar

Connection size: media inlet B1 = media outlet B2 resp.
media inlet B1 ≠ media outlet B2

Configurable check valves of the extended variant space:

Below you will find possible examples of TVR200 check valves in the extended variant space. This offers further configuration options (connection configuration, connection size, cracking pressure, sealing material) beyond the preferred variant space.

Part No.	B1	B2	DN	PC (bar)	DW	L1	L2	L3	D1	A/F(1)	A/F(2)	A/F(3)	AVL*
On request	∅ 6	∅ 6	5	0.1	EPDM					On request			AH
On request	∅ 8	∅ 8	6	1.0	FKM					On request			AH
On request	∅ 10	∅ 10	6	0.2	EPDM					On request			AH
On request	∅ 8	∅ 10	6	0.1	FKM					On request			AH
On request	∅ 10	∅ 8	6	0.5	EPDM					On request			AH
On request	∅ 12	∅ 10	6	0.2	EPDM					On request			AH

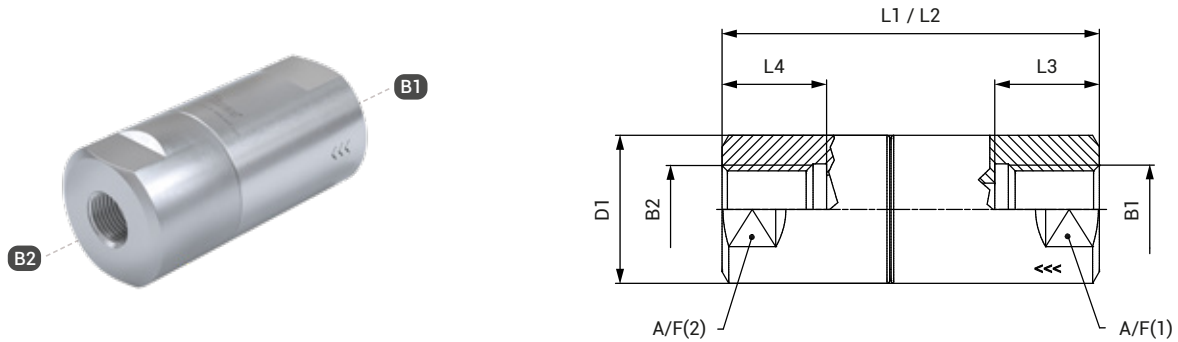
* AVL: availability see page 12

Further designs that do not correspond to the extended variant space can be requested individually. Please refer to *chapter 1.9 Information on your request*. Please note that the availability for individual, customer-specific check valves may vary.

» Product series TVR200-S1 | 0 up to 250 bar

Ordering | TVR200-S1-A02 - female thread on both sides

Inlet B1: female thread / outlet B2: female thread



approx. dimensions (mm)

B1 / B2: Whitworth tube thread acc. to DIN EN ISO 228-1

Connection size: media inlet B1 = media outlet B2

Check valves of the preferred variant space:

Part No.	B1	B2	DN	PC (bar)	DW	L1 / L2	L3 / L4	D1	A/F(1) / A/F(2)	AVL*
C1-170066	G1/8"	G1/8"	6	0.1	FKM	56	10	22	19	RM
C1-170065	G1/8"	G1/8"	6	0.5	FKM	56	10	22	19	AH
C1-165315	G1/4"	G1/4"	6	0.1	FKM	56	16	22	19	RM
C1-170062	G1/4"	G1/4"	6	0.5	FKM	56	16	22	19	RM

* AVL: availability see page 12

Connection size: media inlet B1 = media outlet B2 resp.
media inlet B1 ≠ media outlet B2

Configurable check valves of the extended variant space:

Below you will find possible examples of TVR200 check valves in the extended variant space. This offers further configuration options (connection configuration, connection size, cracking pressure, sealing material) beyond the preferred variant space.

Part No.	B1	B2	DN	PC (bar)	DW	L1	L2	L3	L4	D1	A/F(1)	A/F(2)	AVL*
On request	G1/8"	G1/8"	6	0.1	EPDM					On request			AH
On request	G1/4"	G1/4"	6	0.2	EPDM					On request			AH
On request	G1/8"	G1/4"	6	1.0	FKM					On request			AH
On request	G1/4"	G1/8"	6	0.2	EPDM					On request			AH

* AVL: availability see page 12

Further designs that do not correspond to the extended variant space can be requested individually. Please refer to *chapter 1.9 Information on your request*. Please note that the availability for individual, customer-specific check valves may vary.

» Product series TVR200-S1 | 0 up to 250 bar

B1 / B2: NPT thread (ANSI B 1.20.1-1983 (R1992))

Connection size: media inlet B1 = media outlet B2

Check valves of the preferred variant space:

Part No.	B1	B2	DN	PC (bar)	DW	L1 / L2	L3 / L4	D1	A/F(1) / A/F(2)	AVL*
C1-169134	NPT 1/8"	NPT 1/8"	6	0.1	FKM	56	7	22	19	**
C1-170249	NPT 1/8"	NPT 1/8"	6	0.5	FKM	56	7	22	19	**
C1-169135	NPT 1/4"	NPT 1/4"	6	0.1	FKM	56	10	22	19	**
C1-170252	NPT 1/4"	NPT 1/4"	6	0.5	FKM	56	10	22	19	**

* AVL: availability see page 12

** Availability on request

Connection size: media inlet B1 = media outlet B2 resp.
media inlet B1 ≠ media outlet B2

Configurable check valves of the extended variant space:

Below you will find *possible examples* of TVR200 check valves in the extended variant space. This offers further configuration options (connection configuration, connection size, cracking pressure, sealing material) beyond the preferred variant space.

Part No.	B1	B2	DN	PC (bar)	DW	L1	L2	L3	L4	D1	A/F(1)	A/F(2)	AVL*
On request	NPT 1/8"	NPT 1/8"	6	0.1	EPDM	On request						**	
On request	NPT 1/4"	NPT 1/4"	6	0.2	EPDM	On request						**	
On request	NPT 1/8"	NPT 1/4"	6	1.0	FKM	On request						**	
On request	NPT 1/4"	NPT 1/8"	6	0.2	EPDM	On request						**	

* AVL: availability see page 12

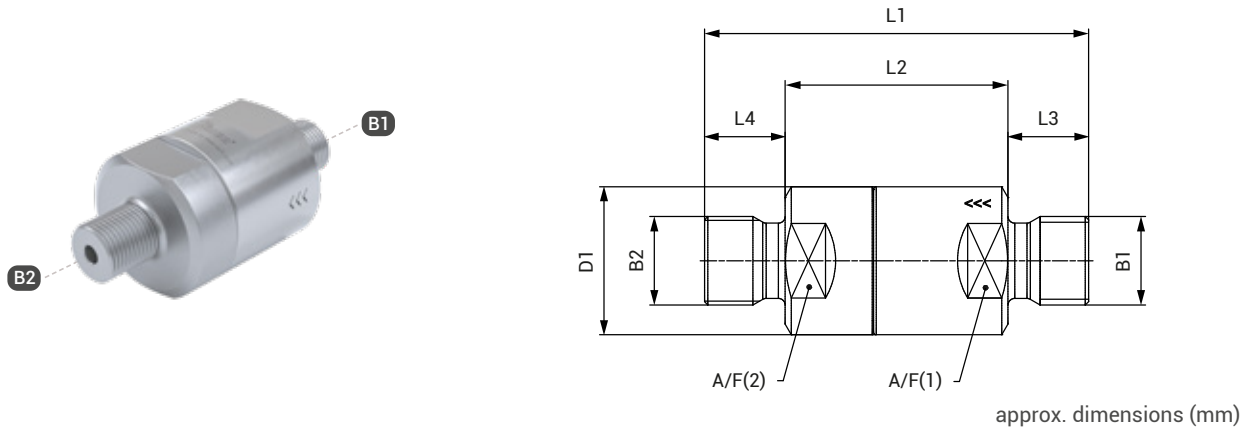
** Availability on request

Further designs that do not correspond to the extended variant space can be requested individually. Please refer to *chapter 1.9 Information on your request*. Please note that the availability for individual, customer-specific check valves may vary.

» Product series TVR200-S1 | 0 up to 250 bar

Ordering | TVR200-S1-A03 - male thread on both sides

Inlet B1: male thread / outlet B2: male thread



B1 / B2: Whitworth tube thread acc. to DIN EN ISO 228-1

Connection size: media inlet B1 = media outlet B2

Check valves of the preferred variant space:

Part No.	B1	B2	DN	PC (bar)	DW	L1	L2	L3 / L4	D1	A/F(1) / A/F(2)	AVL*
C1-170078	G1/8"	G1/8"	4	0.1	FKM	56	40	8	22	19	RM
C1-170079	G1/8"	G1/8"	4	0.5	FKM	56	40	8	22	19	AH
C1-170085	G1/4"	G1/4"	6	0.1	FKM	57	33	12	22	19	RM
C1-170086	G1/4"	G1/4"	6	0.5	FKM	57	33	12	22	19	AH

* AVL: availability see page 12

Connection size: media inlet B1 = media outlet B2 resp.
media inlet B1 ≠ media outlet B2

Configurable check valves of the extended variant space:

Below you will find possible examples of TVR200 check valves in the extended variant space. This offers further configuration options (connection configuration, connection size, cracking pressure, sealing material) beyond the preferred variant space.

Part No.	B1	B2	DN	PC (bar)	DW	L1	L2	L3	L4	D1	A/F(1)	A/F(2)	AVL*
On request	G1/8"	G1/8"	4	0.1	EPDM					On request			AH
On request	G1/4"	G1/4"	5	0.2	EPDM					On request			AH
On request	G1/8"	G1/4"	4	1.0	FKM					On request			AH
On request	G1/4"	G1/8"	4	0.2	EPDM					On request			AH

* AVL: availability see page 12

Further designs that do not correspond to the extended variant space can be requested individually.

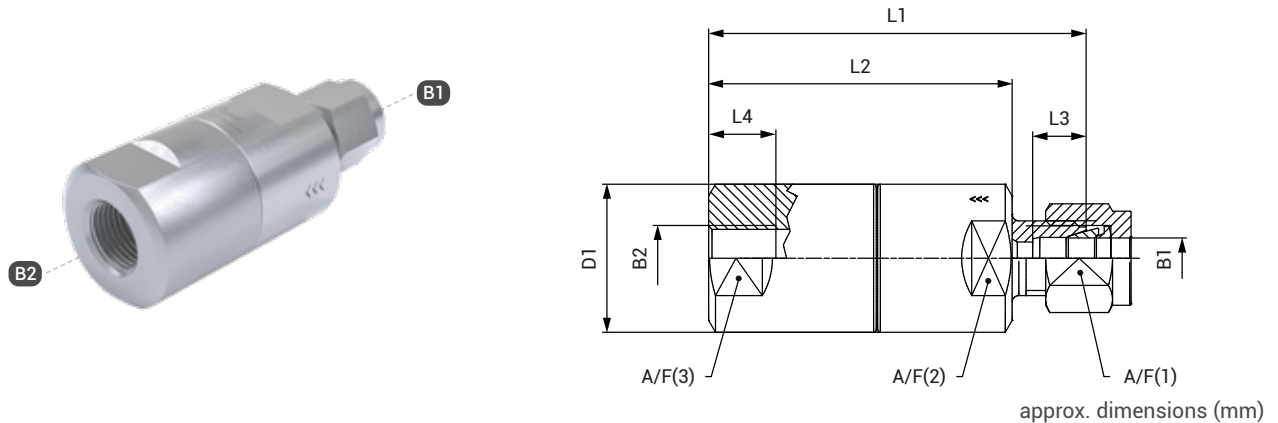
Please refer to *chapter 1.9 Information on your request*.

Please note that the availability for individual, customer-specific check valves may vary.

» Product series TVR200-S1 | 0 up to 250 bar

Ordering | TVR200-S1-A10 - double ferrule fitting / female thread

Inlet B1: double ferrule fitting / outlet B2: female thread



B1 = double ferrule fitting / B2 = Whitworth tube thread acc. to DIN EN ISO 228-1

Connection size: media inlet B1 ≠ media outlet B2

Configurable check valves of the extended variant space:

Below you will find possible examples of TVR200 check valves in the extended variant space. This offers further configuration options (connection configuration, connection size, cracking pressure, sealing material) beyond the preferred variant space.

Part No.	B1	B2	DN	PC (bar)	DW	L1	L2	L3	L4	D1	A/F(1)	A/F(2)	AVL*
On request	∅ 6	G1/8"	5	0.1	FKM					On request			AH
On request	∅ 8	G1/4"	5	0.5	FKM					On request			AH
On request	∅ 10	G1/8"	6	0.1	FKM					On request			AH
On request	∅ 6	G1/4"	5	0.5	EPDM					On request			AH
On request	∅ 8	G1/8"	6	1.0	FKM					On request			AH
On request	∅ 10	G1/4"	6	0.2	EPDM					On request			AH

* AVL: availability see page 12

Further designs that do not correspond to the extended variant space can be requested individually.

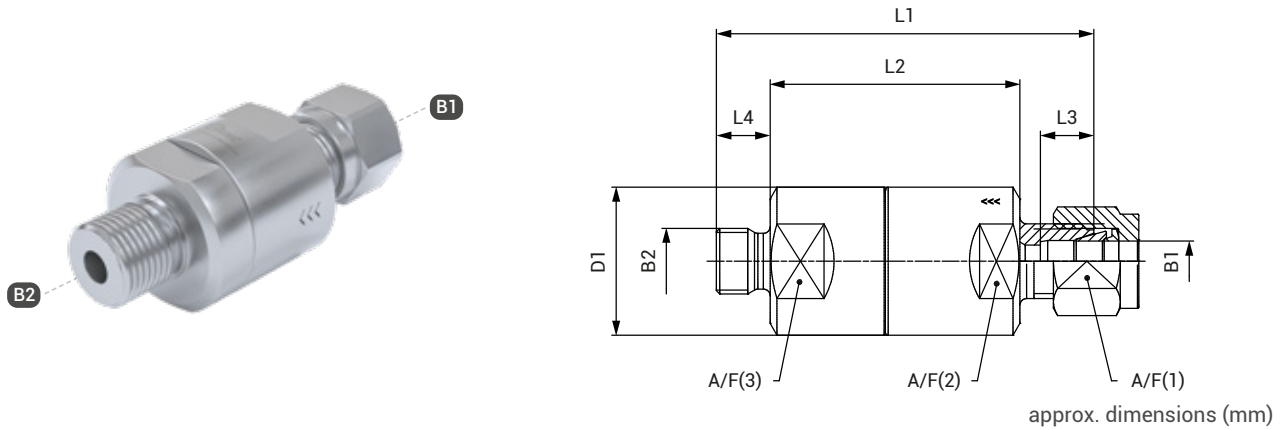
Please refer to *chapter 1.9 Information on your request*.

Please note that the availability for individual, customer-specific check valves may vary.

» Product series TVR200-S1 | 0 up to 250 bar

Ordering | TVR200-S1-A11 - double ferrule fitting / male thread

Inlet B1: double ferrule fitting / outlet B2: male thread



B1: double ferrule fitting / B2: Whitworth tube thread acc. to DIN EN ISO 228-1

Connection size: media inlet B1 ≠ media outlet B2

Configurable check valves of the extended variant space:

Below you will find possible examples of TVR200 check valves in the extended variant space. This offers further configuration options (connection configuration, connection size, cracking pressure, sealing material) beyond the preferred variant space.

Part No.	B1	B2	DN	PC (bar)	DW	L1	L2	L3	L4	D1	A/F(1)	A/F(2)	AVL*
On request	∅ 6	G1/8"	5	0.1	FKM						On request		AH
On request	∅ 8	G1/4"	5	0.5	FKM						On request		AH
On request	∅ 10	G1/8"	6	0.1	FKM						On request		AH
On request	∅ 6	G1/4"	5	0.5	EPDM						On request		AH
On request	∅ 8	G1/8"	6	1.0	FKM						On request		AH
On request	∅ 10	G1/4"	6	0.2	EPDM						On request		AH

* AVL: availability see page 12

Further designs that do not correspond to the extended variant space can be requested individually.

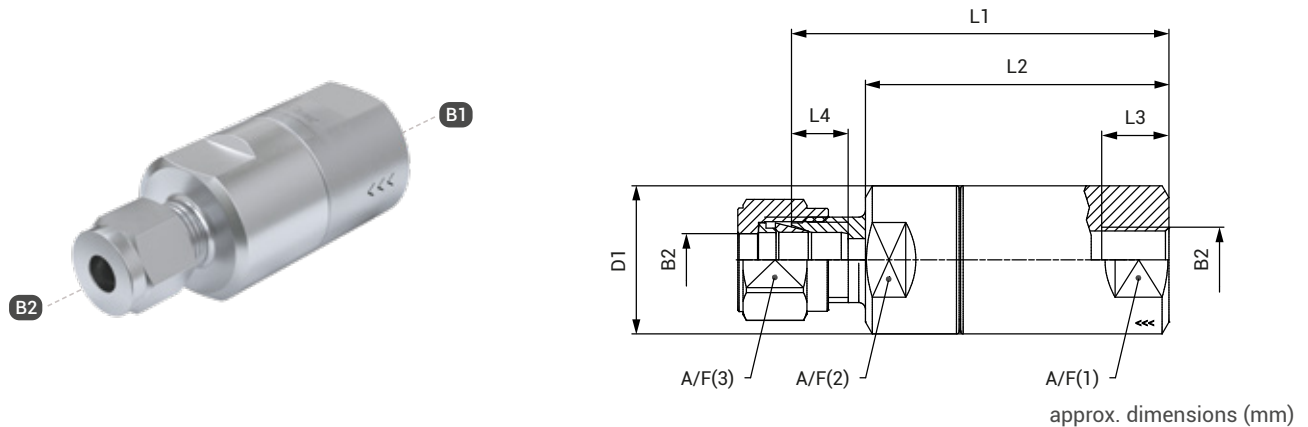
Please refer to *chapter 1.9 Information on your request*.

Please note that the availability for individual, customer-specific check valves may vary.

» Product series TVR200-S1 | 0 up to 250 bar

Ordering | TVR200-S1-A12 - female thread / double ferrule fitting

Inlet B1: female thread / outlet B2: double ferrule fitting



B1: Whitworth tube thread acc. to DIN EN ISO 228-1 / B2: double ferrule fitting

Connection size: media inlet B1 ≠ media outlet B2

Configurable check valves of the extended variant space:

Below you will find possible examples of TVR200 check valves in the extended variant space. This offers further configuration options (connection configuration, connection size, cracking pressure, sealing material) beyond the preferred variant space.

Part No.	B1	B2	DN	PC (bar)	DW	L1	L2	L3	L4	D1	A/F(1)	A/F(2)	AVL*
On request	G1/8"	Ø 8	6	0.1	FKM					On request			AH
On request	G1/4"	Ø 10	6	0.5	FKM					On request			AH
On request	G1/8"	Ø 12	6	0.1	FKM					On request			AH
On request	G1/4"	Ø 8	6	0.5	EPDM					On request			AH
On request	G1/8"	Ø 10	6	1.0	FKM					On request			AH
On request	G1/4"	Ø 12	6	0.2	EPDM					On request			AH

* AVL: availability see page 12

Further designs that do not correspond to the extended variant space can be requested individually.

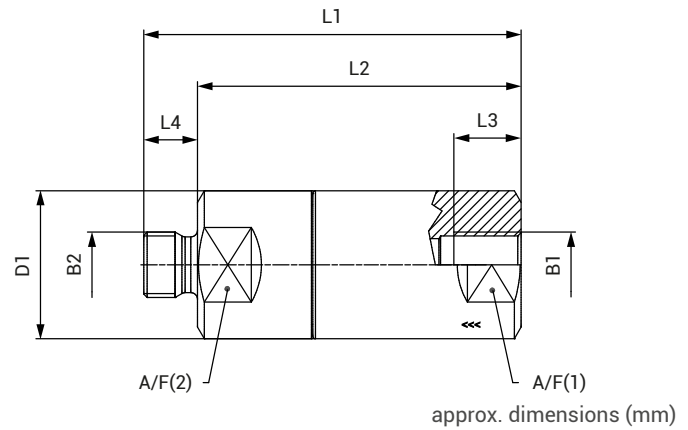
Please refer to *chapter 1.9 Information on your request*.

Please note that the availability for individual, customer-specific check valves may vary.

» Product series TVR200-S1 | 0 up to 250 bar

Ordering | TVR200-S1-A13 - female thread / male thread

Inlet B1: female thread / outlet B2: male thread



B1 / B2: Whitworth tube thread acc. to DIN EN ISO 228-1

Connection size: media inlet B1 = media outlet B2 resp.
media inlet B1 ≠ media outlet B2

Configurable check valves of the extended variant space:

Below you will find possible examples of TVR200 check valves in the extended variant space. This offers further configuration options (connection configuration, connection size, cracking pressure, sealing material) beyond the preferred variant space.

Part No.	B1	B2	DN	PC (bar)	DW	L1	L2	L3	L4	D1	A/F(1)	A/F(2)	AVL*
On request	G1/8"	G1/8"	3	0.1	FKM					On request			AH
On request	G1/4"	G1/4"	5	0.5	FKM					On request			AH
On request	G1/8"	G1/8"	3	0.1	EPDM					On request			AH
On request	G1/4"	G1/4"	5	0.2	EPDM					On request			AH
On request	G1/8"	G1/4"	5	1.0	FKM					On request			AH
On request	G1/4"	G1/8"	5	0.2	EPDM					On request			AH

* AVL: availability see page 12

Further designs that do not correspond to the extended variant space can be requested individually.

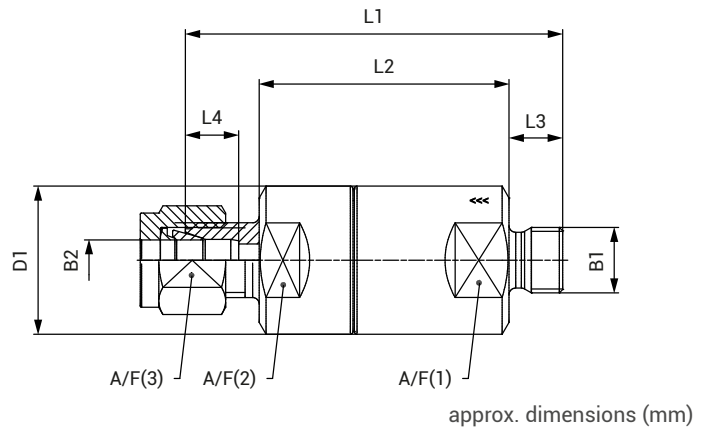
Please refer to *chapter 1.9 Information on your request*.

Please note that the availability for individual, customer-specific check valves may vary.

» Product series TVR200-S1 | 0 up to 250 bar

Ordering | TVR200-S1-A14 - male thread / double ferrule fitting

inlet B1: male thread / outlet B2: double ferrule fitting



B1: Whitworth tube thread acc. to DIN EN ISO 228-1 / B2: double ferrule fitting

Connection size: media inlet B1 ≠ media outlet B2

Configurable check valves of the extended variant space:

Below you will find possible examples of TVR200 check valves in the extended variant space. This offers further configuration options (connection configuration, connection size, cracking pressure, sealing material) beyond the preferred variant space.

Part No.	B1	B2	DN	PC (bar)	DW	L1	L2	L3	L4	D1	A/F(1)	A/F(2)	AVL*
On request	G1/8"	∅ 6	3	0.1	FKM					On request			AH
On request	G1/4"	∅ 8	5	0.5	FKM					On request			AH
On request	G1/8"	∅ 10	3	0.1	FKM					On request			AH
On request	G1/4"	∅ 12	5	0.1	FKM					On request			AH
On request	G1/8"	∅ 8	3	0.5	EPDM					On request			AH
On request	G1/4"	∅ 6	5	0.2	FKM					On request			AH
On request	G1/8"	∅ 10	3	1.0	FKM					On request			AH
On request	G1/4"	∅ 10	5	0.2	EPDM					On request			AH

* AVL: availability see page 12

Further designs that do not correspond to the extended variant space can be requested individually.

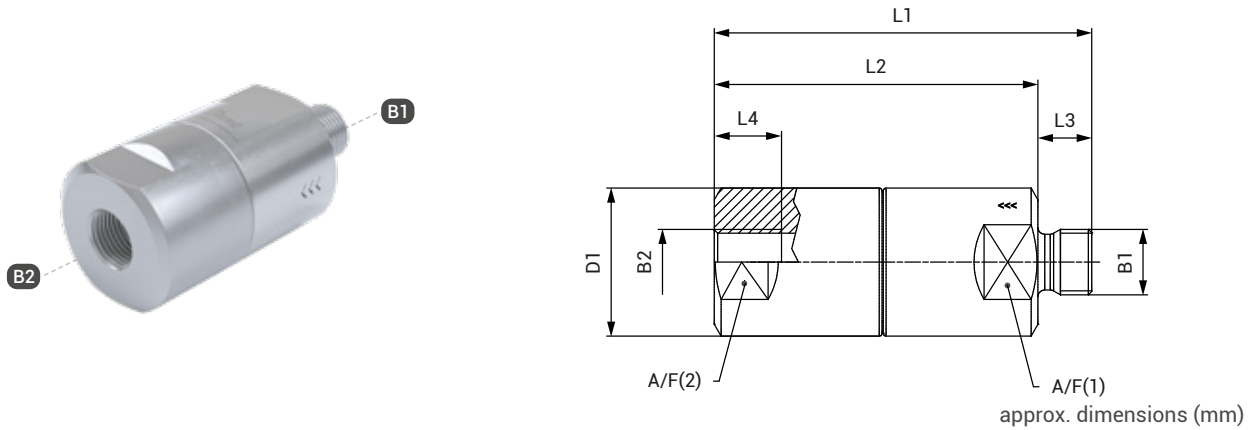
Please refer to *chapter 1.9 Information on your request*.

Please note that the availability for individual, customer-specific check valves may vary.

» Product series TVR200-S1 | 0 up to 250 bar

Ordering | TVR200-S1-A15 - male thread / female thread

Inlet B1: male thread / outlet B2: female thread



B1 / B2: Whitworth tube thread acc. to DIN EN ISO 228-1

Connection size: media inlet B1 = media outlet B2 resp.
media inlet B1 ≠ media outlet B2

Configurable check valves of the extended variant space:

Below you will find possible examples of TVR200 check valves in the extended variant space. This offers further configuration options (connection configuration, connection size, cracking pressure, sealing material) beyond the preferred variant space.

Part No.	B1	B2	DN	PC (bar)	DW	L1	L2	L3	L4	D1	A/F(1)	A/F(2)	AVL*
On request	G1/8"	G1/8"	3	0.1	FKM					On request			AH
On request	G1/4"	G1/4"	5	0.5	FKM					On request			AH
On request	G1/8"	G1/8"	3	0.1	EPDM					On request			AH
On request	G1/4"	G1/4"	5	0.2	EPDM					On request			AH
On request	G1/8"	G1/4"	5	1.0	FKM					On request			AH
On request	G1/4"	G1/8"	5	0.2	EPDM					On request			AH

* AVL: availability see page 12

Further designs that do not correspond to the extended variant space can be requested individually.

Please refer to *chapter 1.9 Information on your request*.

Please note that the availability for individual, customer-specific check valves may vary.

» Product series **TVR200-S1** | 0 up to 250 bar

CHECK VALVES FOR GENERAL APPLICATIONS

TVR2 of stainless steel

for use with liquid and gaseous media

Features & benefits

- ▶ Stainless steel
- ▶ High leak tightness
- ▶ Valve seals are protected from media flow
- ▶ Wear and corrosion resistant
- ▶ Low-noise opening and closing
- ▶ Low cracking pressure
- ▶ Max. operating pressure up to 250 bar



» Product family TVR2

Description

The WEH® TVR2 Check valves made of stainless steel are ideal for applications with liquid and gaseous media up to max. 250 bar. The possible applications are just as varied as the design and the materials used.

The check valves are available in various connection configurations, such as double ferrule fittings, female and male threads and a nominal bore of up to 20 mm. For smaller nominal bores the WEH® TVR200 Check valve is available.

Due to the high quality materials they are extremely wear-resistant, corrosion-resistant and durable. The check valves, which are very silent in use even under high flow rates, are characterized in particular by their very low cracking pressure and their optimum tightness.

The WEH® TVR2 are equipped with a cone seal. The internal seals are arranged so that they are protected from the media flow. This prevents damage to the seals from any dirt particles on the sealing components within the unit.

WEH® TVR2 Check valves are equipped with a FKM seal as standard. Other sealing materials are available on request. It is the customer's responsibility to clarify the media compatibility.

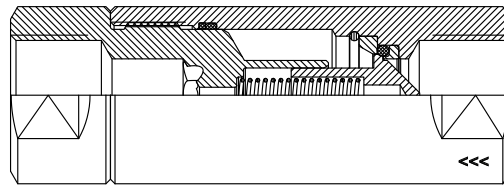
Intended use

The WEH® TVR2 Check valves were only developed for reliable return flow prevention in a gaseous or liquid media flow. They are not designed to be used as filling or safety valves. The separation or shut off between different media or a medium and vacuum also does not represent a fundamental intended use.

If you have such an application or a similar application, please contact us!

The WEH® TVR2 Check valves are used in mechanical and plant engineering, chemical / pharmaceutical industry, conveyor technology, food industry, medical technology, etc.

Sealing concept



Cone seal construction

Flow values

In the table below you will find the flow rates of the various nominal bores of our WEH® TVR2 Stainless steel check valves.

Nominal bore (DN)	Kv (Cv) value	Nominal bore (DN)	Kv (Cv) value
10 mm	3.0 (3.4)	16 mm	8.1 (9.4)
14 mm	7.4 (8.6)	20 mm	10.7 (12.4)

The flow curves were determined on the basis of the DIN/EN 60534-2 standard and refer to a cavitation-free flow (water). System-sided constrictions at the inlet and outlet can reduce the flow rate.

» Product family TVR2

Overview product series

Product series	Pressure range	Housing material	Connection types	Page
TVR2-S1	0 - 250 bar	Stainless steel	Double ferrule fitting Female thread Male thread	36

Overview product series & connection configurations

Product series	Media inlet B1	Media outlet B2	Page
TVR2-S1-A01	Double ferrule fitting	Double ferrule fitting	38
TVR2-S1-A02	Female thread	Female thread	39
TVR2-S1-A03	Male thread	Male thread	40
TVR2-S1-A10	Double ferrule fitting	Female thread	42
TVR2-S1-A11	Double ferrule fitting	Male thread	42
TVR2-S1-A12	Female thread	Double ferrule fitting	42
TVR2-S1-A13	Female thread	Male thread	42
TVR2-S1-A14	Male thread	Double ferrule fitting	42
TVR2-S1-A15	Male thread	Female thread	42

» Product series TVR2-S1 | 0 up to 250 bar

Technical data

The following illustrations are examples of WEH® Check valves of the TVR2 product family.



Characteristics	Preferred variant space	Extended variant space
Product series	TVR2-S1	TVR2-S1
Connection configuration	A01, A02, A03	A01, A02, A03, A10, A11, A12, A13, A14, A15
Connection sizes for media inlet B1 / media outlet B2	<ul style="list-style-type: none"> • Tube Ø 12 mm, Ø 16 mm • G3/8", G1/2", G3/4", G1" 	On request
Nominal bore (DN)	Acc. to design	Acc. to design
Max. allowable operating pressure PS	250 bar	250 bar
Cracking pressure PC*	Acc. to design	Other cracking pressures on request
Temperature range	-20 °C up to +200 °C	Depending on sealing material
Leak rate	1 x 10 ⁻⁴ mbar x l/s	1 x 10 ⁻⁴ mbar x l/s
Housing material	Stainless steel	Stainless steel
Spring material	Stainless steel	Stainless steel
Sealing material DW	FKM	<ul style="list-style-type: none"> • FKM • Other sealing materials on request
Lubricant	E99-4	E99-4
Sealing concept	Cone sealing	Cone sealing
Flow direction	B1 → B2	B1 → B2

* Please note that the cracking pressures may differ due to tolerances. The cracking pressure basically applies to the horizontal mounting of the check valve. For other mounting directions, the values can differ.

Other designs on request

» Product series TVR2-S1 | 0 up to 250 bar

Possible connection configurations

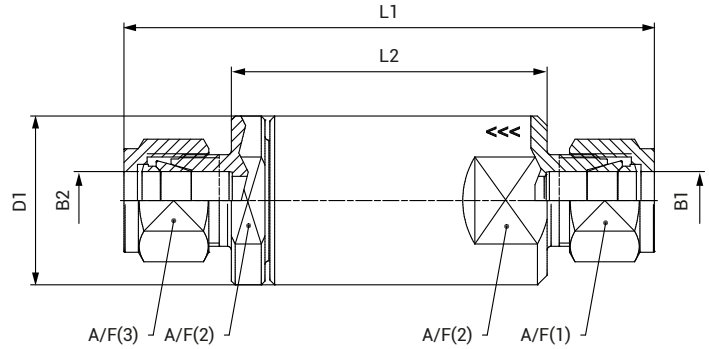
In addition to the table of technical characteristics (see page 36), the following possible connection configurations of WEH® Check valves of the TVR2 product family are listed. The connection configuration is part of the product series.

Connection configuration	Media inlet B1	Media outlet B2
A01	Double ferrule fitting	Double ferrule fitting
A02	Female thread	Female thread
A03	Male thread	Male thread
A10	Double ferrule fitting	Female thread
A11	Double ferrule fitting	Male thread
A12	Female thread	Double ferrule fitting
A13	Female thread	Male thread
A14	Male thread	Double ferrule fitting
A15	Male thread	Female thread

» Product series **TVR2-S1** | 0 up to 250 bar

Ordering | TVR2-S1-A01 - double ferrule fitting on both sides

Inlet B1: double ferrule fitting / outlet B2: double ferrule fitting



approx. dimensions (mm)

B1 / B2: Double ferrule fitting

Connection size: media inlet B1 = media outlet B2

Check valves of the preferred variant space:

Part No.	B1	B2	DN	PC (bar)	DW	L1	L2	D1	A/F(1) / A/F(3)	A/F(2)	AVL *
C1-171809	Ø 12	Ø 12	10	0.5	FKM	110	65.5	35	22	30	**
C20015-X1-X01	Ø 16	Ø 16	14	0.5	FKM	110	65.5	35	25	30	**

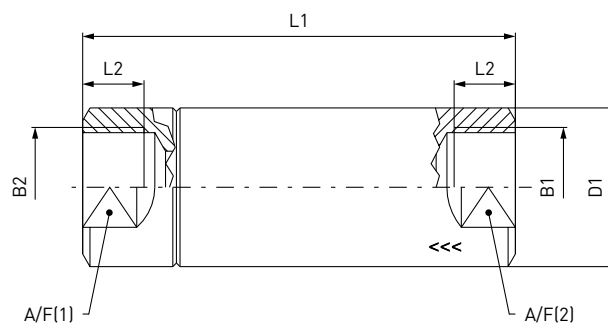
* AVL: availability see page 12

** Availability on request

» Product series TVR2-S1 | 0 up to 250 bar

Ordering | TVR2-S1-A02 - female thread on both sides

Inlet B1: female thread / outlet B2: female thread



approx. dimensions (mm)

B1 / B2: Whitworth tube thread acc. to DIN EN ISO 228-1

Connection size: media inlet B1 = media outlet B2

Check valves of the preferred variant space:

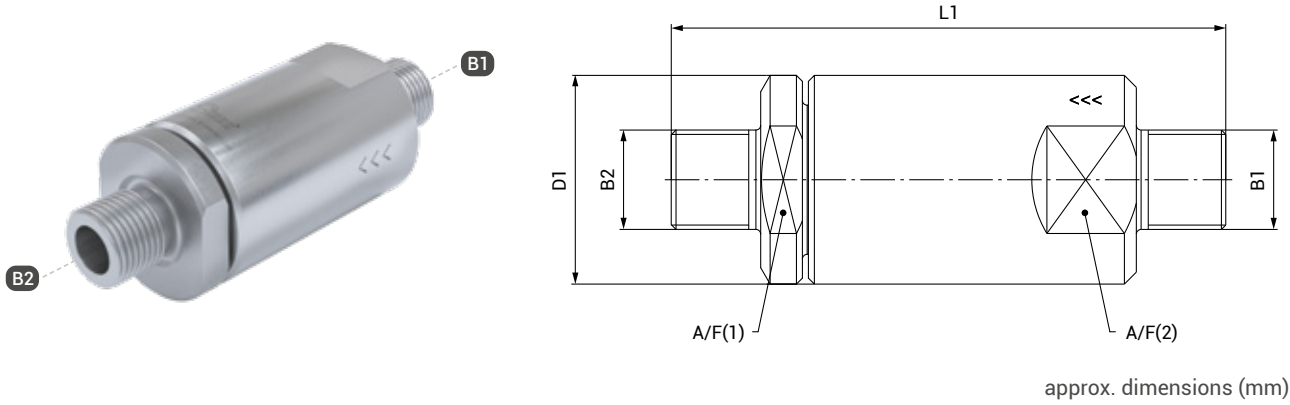
Part No.	B1	B2	DN	PC (bar)	DW	L1	L2	D1	A/F(1) / A/F(2)	AVL*
C20002-X2-X01	G3/8"	G3/8"	14	0.1	FKM	95	17	35	30	RM
C20003-X2-X01	G1/2"	G1/2"	14	0.5	FKM	95	17	35	30	RM
C20004-X2-X01	G3/4"	G3/4"	16	0.5	FKM	110	17	39	34	RM
C20005/1-X01	G1"	G1"	20	1.0	FKM	120	18	48	41	RM

* AVL: availability see page 12

» Product series **TVR2-S1** | 0 up to 250 bar

Ordering | TVR2-S1-A03 - male thread on both sides

Inlet B1: male thread / outlet B2: male thread



B1 / B2: Whitworth tube thread acc. to DIN EN ISO 228-1

Connection size: media inlet B1 = media outlet B2

Check valves of the preferred variant space:

Part No.	B1	B2	DN	PC (bar)	DW	L1	D1	A/F(1) / A/F(2)	AVL*
C20203	G3/8"	G3/8"	10	0.1	FKM	93	35	30	**
C20204-X01	G1/2"	G1/2"	14	0.5	FKM	95	35	30	RM
C20205-X01	G3/4"	G3/4"	16	0.5	FKM	110	39	34	**
C20206	G1"	G1"	20	1.0	FKM	124	48	41	**

* AVL: availability see page 12

** Availability on request

» Product series **TVR2-S1** | 0 up to 250 bar

» Product series TVR2-S1 | 0 up to 250 bar

Ordering | Extended variant space

Configurable check valves of the extended variant space.

Check valves of the extended variant space offer further configuration options beyond the preferred variant space.

The following characteristics are configurable:

- Connection configurations
- Connection sizes for media ports (B1 / B2)
- Cracking pressure
- Sealing material

For this, please select the technical characteristics from the table below and request your WEH® TVR2 Check valve. The following illustrations are examples of WEH® Check valves of the TVR2 product family.



Further designs that do not correspond to the extended variant space can be requested individually.

Please refer to *chapter 1.9 Information on your request*.

Please note that the availability for individual, customer-specific check valves may vary.

Technical data

Characteristics	Extended variant space
Product series	TVR2-S1
Connection configuration	A01, A02, A03, A10, A11, A12, A13, A14, A15
Connection sizes for media inlet B1 / media outlet B2	<ul style="list-style-type: none"> • Tube Ø 12 mm, Ø 16 mm • G3/8", G1/2", G3/4", G1"
Nominal bore (DN)	Acc. to design
Max. allowable operating pressure PS	250 bar
Cracking pressure PC*	On request
Temperature range	Depending on sealing material
Leak rate	1×10^{-4} mbar x l/s
Housing material	Stainless steel
Spring material	Stainless steel
Sealing material DW	On request
Lubricant	E99-4
Sealing concept	Ball sealing
Flow direction	B1 → B2

* Please note that the cracking pressures may differ due to tolerances. The cracking pressure basically applies to the horizontal mounting of the check valve. For other mounting directions, the values can differ.

Other designs on request

» Product series TVR2-S1 | 0 up to 250 bar

Possible connection configurations

In addition to the table of technical characteristics (see page 42), the following possible connection configurations of WEH® Check valves of the TVR2 product family are listed. The connection configuration is part of the product series.

Connection configuration	Media inlet B1	Media outlet B2
A01	Double ferrule fitting	Double ferrule fitting
A02	Female thread	Female thread
A03	Male thread	Male thread
A10	Double ferrule fitting	Female thread
A11	Double ferrule fitting	Male thread
A12	Female thread	Double ferrule fitting
A13	Female thread	Male thread
A14	Male thread	Double ferrule fitting
A15	Male thread	Female thread

MINIATURE CHECK VALVES FOR GENERAL APPLICATIONS

TVR300 of stainless steel

for use with liquid and gaseous media

Features & benefits

- ▶ Stainless steel
- ▶ High leak tightness
- ▶ Valve seals are protected from media flow
- ▶ Wear and corrosion resistant
- ▶ Low-noise opening and closing
- ▶ Low cracking pressure
- ▶ Max. operating pressure up to 100 bar



» Product family TVR300

Description

The WEH® TVR300 Miniature check valves made of stainless steel are ideal for applications with liquid and gaseous media up to max. 100 bar. The possible applications are just as varied as the design and the materials used. The check valves are available with female thread on both sides and a nominal bore of up to 4 mm.

Due to the high quality materials they are extremely wear-resistant, corrosion-resistant and durable. The miniature check valves, which are very silent in use even under high flow rates, are characterized in particular by their very low cracking pressure and their optimum tightness.

The WEH® TVR300 are equipped with a ball seal. The internal seals are arranged so that they are protected from the media flow. This prevents damage to the seals from any dirt particles on the sealing components within the unit.

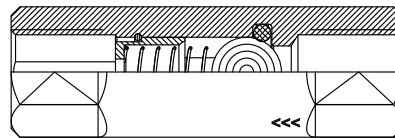
WEH® TVR300 Check valves are equipped with a FKM seal as standard. Other sealing materials are available on request. It is the customer's responsibility to clarify the media compatibility.

Intended use

The WEH® TVR300 Miniature check valves were only developed for reliable return flow prevention in a gaseous or liquid media flow. They are not designed to be used as filling or safety valves. The separation or shut off between different media or a medium and vacuum also does not represent a fundamental intended use. If you have such an application or a similar application, please contact us!

The WEH® TVR300 Miniature check valves are used in mechanical and plant engineering, chemical / pharmaceutical industry, conveyor technology, food industry, medical technology, etc.

Sealing concept



Ball seal construction

Flow values

In the table below you will find the flow rates of the various nominal bores of our WEH® TVR300 Stainless steel check valves.

Nominal bore (DN)	Kv (Cv) value	Nominal bore (DN)	Kv (Cv) value
3 mm	0.17 (0.19)	4 mm	0.2 (0.2)

The flow curves were determined on the basis of the DIN/EN 60534-2 standard and refer to a cavitation-free flow (water). System-sided constrictions at the inlet and outlet can reduce the flow rate.

» Product family TVR300

Overview product series

Product series	Pressure range	Housing material	Connection types	Page
TVR300-S1	0 - 100 bar	Stainless steel	Female thread	48

Overview product series & connection configurations

Product series	Media inlet B1	Media outlet B2	Page
TVR300-S1-A02	Female thread	Female thread	49

» Product series TVR300-S1 | 0 up to 100 bar

Technical data

The following illustrations are examples of WEH® Check valves of the TVR300 product family.



Characteristics	Preferred variant space	Extended variant space
Product series	TVR300-S1	TVR300-S1
Connection configuration	A02	A02
Connection sizes for media inlet B1 / media outlet B2	G1/8", G1/4"	G1/8", G1/4"
Nominal bore (DN)	Acc. to design	Acc. to design
Max. allowable operating pressure PS	100 bar	100 bar
Cracking pressure PC*	Acc. to design	Other cracking pressures on request
Temperature range	-40 °C up to +200 °C	Depending on sealing material
Leak rate	1 x 10 ⁻⁴ mbar x l/s	1 x 10 ⁻⁴ mbar x l/s
Housing material	Stainless steel	Stainless steel
Spring material	Stainless steel	Stainless steel
Sealing material DW	FKM	<ul style="list-style-type: none"> • FKM • EPDM
Lubricant	E99-4	E99-4
Sealing concept	Ball sealing	Ball sealing
Flow direction	B1 → B2	B1 → B2

* Please note that the cracking pressures may differ due to tolerances. The cracking pressure basically applies to the horizontal mounting of the check valve. For other mounting directions, the values can differ.

Other designs on request

Possible connection configurations

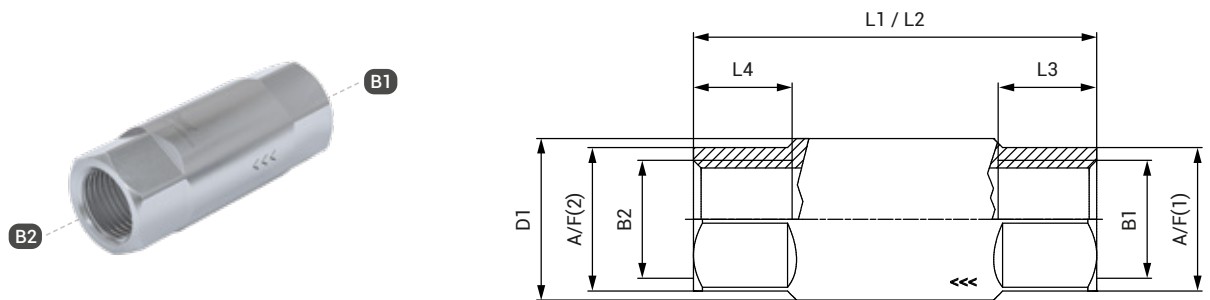
In addition to the table of technical characteristics (see above), the following possible connection configurations of WEH® Check valves of the TVR300 product family are listed. The connection configuration is part of the product series.

Connection configuration	Media inlet B1	Media outlet B2
A02	Female thread	Female thread

» Product series TVR300-S1 | 0 up to 100 bar

Ordering | TVR300-S1-A02 - female thread on both sides

Inlet B1: female thread / outlet B2: female thread



approx. dimensions (mm)

B1 / B2: Whitworth tube thread acc. to DIN EN ISO 228-1

Connection size: media inlet B1 = media outlet B2

Check valves of the preferred variant space:

Part No.	B1	B2	DN	PC (bar)	DW	L1 / L2	L3 / L4	D1	A/F(1) / A/F(2)	AVL*
C1-170235	G1/8"	G1/8"	3	0.2	FKM	45	10.5	15	13	RM
C1-170240	G1/4"	G1/4"	4	0.1	FKM	45	11	18	16	RM

* AVL: availability see page 12

Connection size: media inlet B1 = media outlet B2 resp.
media inlet B1 ≠ media outlet B2

Configurable check valves of the extended variant space:

Below you will find possible examples of TVR300 check valves in the extended variant space. This offers further configuration options (connection configuration, connection size, cracking pressure, sealing material) beyond the preferred variant space.

Part No.	B1	B2	DN	PC (bar)	DW	L1	L2	L3	L4	D1	A/F(1)	A/F(2)	AVL*
On request	G1/8"	G1/8"	3	0.1	EPDM	On request						AH	
On request	G1/4"	G1/4"	4	0.2	EPDM	On request						AH	
On request	G1/8"	G1/4"	3	1.0	FKM	On request						AH	
On request	G1/4"	G1/8"	3	0.2	EPDM	On request						AH	

* AVL: availability see page 12

Further designs that do not correspond to the extended variant space can be requested individually.

Please refer to *chapter 1.9 Information on your request*.

Please note that the availability for individual, customer-specific check valves may vary.

SCREW-IN VALVES FOR GENERAL APPLICATIONS

TVR400 of stainless steel

for hydraulic and pneumatic applications

Features & benefits

- ▶ Soft-sealing → high leak tightness, low leakage
- ▶ Compact and space-saving
- ▶ Flow in screwing direction
- ▶ Use at high temperatures and pressure peaks up to 250 bar
- ▶ High flow rate
- ▶ Easy installation



» Product family TVR400

Description

The WEH® TVR400 Screw-in valves are mechanical shut-off valves which allow free media flow in the screwing direction of screw rotation and which shut off the media flow in the other direction.

Their compact design means that they have a small footprint and are therefore very economical. Unlike valve concepts with metallic sealing, the TVR400 screw-in valves are soft-sealing. Sealing is provided by a spring-loaded sealing cone with o-ring. Therefore, the WEH® Valves are characterized by a high leak tightness, combined with a high flow rate.

The WEH® Screw-in valves can be easily screwed into internally threaded bores using an Allen key. TVR400 valves are made of high quality stainless steel and are therefore very durable and wear-resistant. They are especially low-noise in operation.

WEH® TVR400 Screw-in valves are equipped with a FKM seal as standard. Other sealing materials are available on request. It is the customer's responsibility to clarify the media compatibility.

Intended use

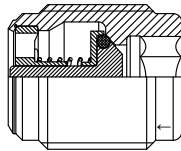
The WEH® TVR400 Screw-in valves were only developed for reliable return flow prevention in a gaseous or liquid media flow.

They are not designed to be used as filling or safety valves or as sealing connection elements between two pipes. The separation or shut off between different media or a medium and vacuum also does not represent a fundamental intended use.

If you have such an application or a similar application, please contact us!

The WEH® TVR400 Check valves are suitable for hydraulic and pneumatic applications in mechanical and plant engineering, conveyor technology and medical technology as well as in the chemical and pharmaceutical industry.

Sealing concept



Cone seal construction

Flow values

In the table below you will find the flow rates of the various nominal bores of our WEH® TVR400 Stainless steel screw-in valves.

Nominal bore (DN)	Kv (Cv) value	Nominal bore (DN)	Kv (Cv) value	Nominal bore (DN)	Kv (Cv) value
3.6 mm	0.286 (0.331)	6 mm	0.640 (0.743)	7 mm	1.203 (1.395)

The flow curves were determined on the basis of the DIN/EN 60534-2 standard and refer to a cavitation-free flow (water). System-sided constrictions at the inlet and outlet can reduce the flow rate.

» Product family TVR400

Overview product series

Product series	Pressure range	Housing material	Connection types	Page
TVR400-S1	0 - 250 bar	Stainless steel	Male thread	54

Overview product series & connection configurations

Product series	Media inlet B1	Page
TVR400-S1-A20	Male thread	55

» Product series TVR400-S1 | 0 up to 250 bar

Technical data

The following illustrations are examples of WEH® Check valves of the TVR400 product family.



Characteristics	Preferred variant space	Extended variant space
Product series	TVR400-S1	TVR400-S1
Connection configuration	A20	A20
Connection sizes for media inlet B1	<ul style="list-style-type: none"> • G1/8", G1/4", G3/8" • M10x1.0 M14x1.5 M18x1.5 	<ul style="list-style-type: none"> • G1/8", G1/4", G3/8" • M10x1.0 M14x1.5 M18x1.5
Nominal bore (DN)	Acc. to design	Acc. to design
Max. allowable operating pressure PS	250 bar	250 bar
Cracking pressure PC	0.5 ± 0.2 bar	Other cracking pressures on request
Temperature range	-20 °C up to +200 °C	Depending on sealing material
Leak rate	1 x 10 ⁻³ mbar x l/s	1 x 10 ⁻³ mbar x l/s
Housing material	Stainless steel	Stainless steel
Spring material	Stainless steel	Stainless steel
Sealing material DW	FKM	<ul style="list-style-type: none"> • FKM • EPDM
Sealing concept	Cone sealing (with internal o-ring)	Cone sealing (with internal o-ring)
Flow direction	In screwing direction	In screwing direction

Other designs on request

Possible connection configurations

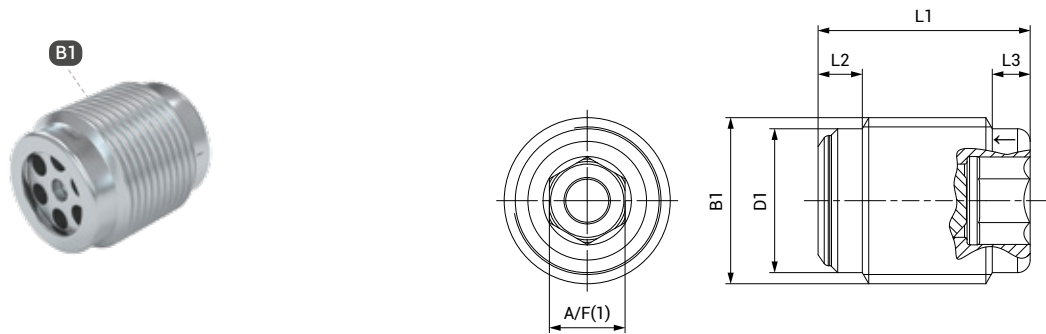
In addition to the table of technical characteristics (see above), the following possible connection configurations of WEH® Check valves of the TVR400 product family are listed. The connection configuration is part of the product series.

Connection configuration	Media inlet B1
A20	Male thread

» Product series TVR400-S1 | 0 up to 250 bar

Ordering | TVR400-S1-A20 - male thread

Inlet B1: male thread



approx. dimensions (mm)

B1 / B2: Whitworth tube thread acc. to DIN EN ISO 228-1

Check valves of the preferred variant space:

Part No.	B1	DN	PC (bar)	DW	L1	L2	L3	D1	A/F(1)	AVL*
C1-109260	G1/8"	3.6	0.5 ± 0.2	FKM	15.5	3	2	8.5	5	RM
C1-136902	G1/4"	6	0.5 ± 0.2	FKM	17	3.5	3	11.5	6	RM
C1-109268	G3/8"	7	0.5 ± 0.2	FKM	20	3.5	3	14.5	8	RM

* AVL: availability see page 12

B1: Metric ISO thread acc. to DIN 13

Check valves of the preferred variant space:

Part No.	B1	DN	PC (bar)	DW	L1	L2	L3	D1	A/F(1)	AVL*
C1-109280	M10x1.0	3.6	0.5 ± 0.2	FKM	15.5	3	2	8.5	5	RM
C1-109284	M14x1.5	6	0.5 ± 0.2	FKM	17	3.5	3	11.5	6	RM
C1-109288	M18x1.5	7	0.5 ± 0.2	FKM	20	3.5	3	14.5	8	RM

* AVL: availability see page 12

Configurable check valves of the extended variant space:

Below you will find possible examples of TVR400 check valves in the extended variant space. This offers further configuration options (connection configuration, connection size, cracking pressure, sealing material) beyond the preferred variant space.

Part No.	B1	DN	PC (bar)	DW	L1	L2	L3	D1	A/F(1)	AVL*
On request	G1/8"	3.6	0.5 ± 0.2	EPDM	On request					AH
On request	G3/8"	7	0.2	EPDM	On request					AH
On request	M14x1.5	6	0.1	FKM	On request					AH

* AVL: availability see page 12

Further designs that do not correspond to the extended variant space can be requested individually. Please refer to [chapter 1.9 Information on your request](#). Please note that the availability for individual, customer-specific check valves may vary.

CHECK VALVES FOR SIMPLE APPLICATIONS

TVR60 of steel

for oil hydraulic and pneumatic applications

Features & benefits

- ▶ Galvanized steel
- ▶ Prevents fluid return into the circuit
- ▶ Metallic sealing, without o-ring
- ▶ High resistance to pressure peaks



» Product family TVR60

Description

The TVR60 galvanized steel check valves are specially developed for oil-hydraulic applications, often used in industry and agriculture.

TVR60 check valves are equipped with a metallic seal as standard.
Elastomeric sealing materials on request. It is the customer's responsibility to clarify the media compatibility.

Intended use

The TVR60 check valves were only developed for reliable return flow prevention. They are not designed to be used as filling or safety valves. The separation or shut off between different media or a medium and vacuum also does not represent a fundamental intended use.

If you have such an application or a similar application, please contact us!

The TVR60 check valves are suitable for hydraulic (oils of fluid group 2 as defined in the Pressure Equipment Directive 2014/64/EU) and pneumatic applications in industry, agriculture and the construction machinery sector.

» Product family TVR60

Overview product series

Product series	Pressure range	Housing material	Connection types	Page
TVR60-S1	0 - 300 bar	Steel	Female thread	60

Overview product series & connection configurations

Product series	Media inlet B1	Media outlet B2	Page
TVR60-S1-A02	Female thread	Female thread	61

» Product series TVR60-S1 | 0 up to 300 bar

Technical data

The following illustrations are examples of check valves of the TVR60 product family.



Characteristics	Preferred variant space	Extended variant space
Product series	TVR60-S1	TVR60-S1
Connection configuration	A02	A02
Connection sizes for media inlet B1 / media outlet B2	G1/8", G1/4", G3/8", G1/2", G3/4", G1", G1 1/4", G1 1/2", G2"	<ul style="list-style-type: none"> G1/8", G1/4", G3/8", G1/2", G3/4", G1", G1 1/4", G1 1/2", G2" NPT thread on request
Nominal bore (DN)	Acc. to design	Acc. to design
Max. allowable operating pressure PS	300 bar, acc. to design	300 bar, acc. to design
Cracking pressure PC	0.35 bar	0.35 bar
Temperature range	-20 °C up to max. +300 °C	Depending on sealing material
Housing material	Galvanized steel	Galvanized steel
Sealing material DW	Metallic	<ul style="list-style-type: none"> Metallic Elastomeric sealing materials on request
Sealing concept	Metallic sealing, without o-ring	Metallic sealing, without o-ring
Flow direction	B1 → B2	B1 → B2

Designs with other connection sizes or elastomeric sealing materials on request

Possible connection configurations

In addition to the table of technical characteristics (see above), the following possible connection configurations of check valves of the TVR60 product family are listed. The connection configuration is part of the product series.

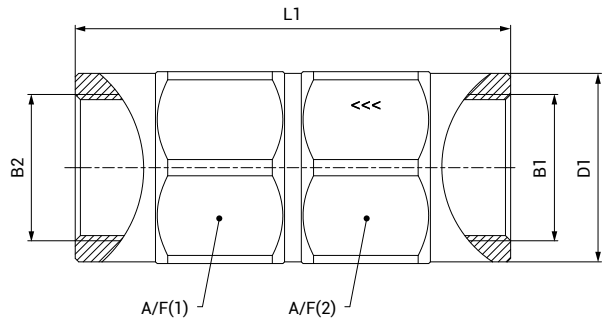
Connection configuration	Media inlet B1	Media outlet B2
A02	Female thread	Female thread

» Product series TVR60-S1 | 0 up to 300 bar

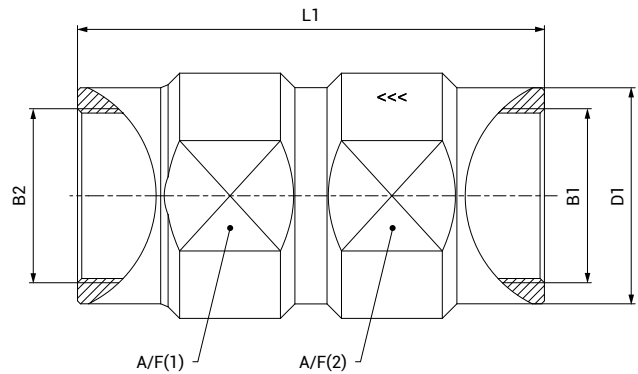
Ordering | TVR60-S1-A02 - female thread on both sides

Inlet B1: female thread / outlet B2: female thread

Design 1



Design 2



approx. dimensions (mm)

approx. dimensions (mm)

B1 / B2: Whitworth tube thread acc. to DIN EN ISO 228-1

Connection size: media inlet B1 = media outlet B2

Check valves of the preferred variant space:

Part No.	Design	B1	B2	DN	PS (bar)	PC (bar)	DW	L1	D1	A/F(1) / A/F(2)	AVL*
C1-90389	1	G1/8"	G1/8"	4	300	0.35	Metallic	44	15	14	RM
C1-90390	1	G1/4"	G1/4"	6	300	0.35	Metallic	56	18.5	19	RM
C1-90391	1	G3/8"	G3/8"	10	300	0.35	Metallic	70	21.5	22	RM
C1-90392	1	G1/2"	G1/2"	13	300	0.35	Metallic	77	29.5	30	RM
C1-90393	1	G3/4"	G3/4"	20	300	0.35	Metallic	90	35	36	RM
C1-90394	1	G1"	G1"	25	300	0.35	Metallic	106	44.5	46	RM
C1-90395**	1	G1 1/4"	G1 1/4"	32	300	0.35	Metallic	125	54	55	RM
C1-90396**	1	G1 1/2"	G1 1/2"	40	300	0.35	Metallic	140	59	60	RM
C1-90397**	2	G2"	G2"	50	200	0.35	Metallic	160	74	75	RM

* AVL: availability see page 12

** only suitable for media of fluid group 2 as defined in the Pressure Equipment Directive 2014/64/EU

CHECK VALVES FOR SIMPLE APPLICATIONS

TVR61 of brass

for hydraulic and pneumatic applications

Features & benefits

- ▶ Brass
- ▶ Full flow, large flow capacity
- ▶ Minimum pressure loss
- ▶ Compact dimensions
- ▶ Average leak tightness
- ▶ Low-noise opening and closing





» Product family TVR61

Description

The TVR61 check valves are particularly quiet in operation and are characterized by a high flow rate. The valves can be installed in any position. Only the direction of flow must be observed.

TVR61 check valves are equipped with a FKM seal as standard. Other sealing materials are available on request. It is the customer's responsibility to clarify the media compatibility.

Intended use

The TVR61 check valves were only developed for reliable return flow prevention. They are not designed to be used as filling or safety valves. The separation or shut off between different media or a medium and vacuum also does not represent a fundamental intended use.

If you have such an application or a similar application, please contact us!

The TVR61 check valves are suitable for hydraulic (oils of fluid group 2 as defined in the Pressure Equipment Directive 2014/64/EU) and pneumatic applications in plant engineering as well as for air conditioning, heating installations and systems with submersible pumps and pressure vessels.

Flow values

In the table below you will find the flow rates of the various nominal bores of our TVR61 Brass check valves.

Nominal bore (DN)	Kv (Cv) value	Nominal bore (DN)	Kv (Cv) value	Nominal bore (DN)	Kv (Cv) value
8 mm	6.9 (8.0)	20 mm	11.4 (13.3)	40 mm	48.8 (56.9)
10 mm	6.9 (8.0)	25 mm	14.5 (16.9)	50 mm	68.9 (80.3)
15 mm	8.8 (10.3)	32 mm	27.4 (31.9)		

The flow curves were determined on the basis of the DIN/EN 60534-2 standard and refer to a cavitation-free flow (water). System-sided constrictions at the inlet and outlet can reduce the flow rate.

» Product family TVR61

Overview product series

Product series	Pressure range	Housing material	Connection types	Page
TVR61-S1	0 - 40 bar	Brass	Female thread	66

Overview product series & connection configurations

Product series	Media inlet B1	Media outlet B2	Page
TVR61-S1-A02	Female thread	Female thread	67

» Product series TVR61-S1 | 0 up to 40 bar

Technical data

The following illustrations are examples of check valves of the TVR61 product family.



Characteristics	Preferred variant space	Extended variant space
Product series	TVR61-S1	TVR61-S1
Connection configuration	A02	A02
Connection sizes for media inlet B1 / media outlet B2	G1/4", G3/8", G1/2", G3/4", G1", G1 1/4", G1 1/2", G2"	On request
Nominal bore (DN)	Acc. to design	Acc. to design
Max. allowable operating pressure PS	20 to 40 bar, acc. to design	Other pressure on request
Cracking pressure PC	0.025 bar	0.025 bar
Temperature range	-20 °C up to +100 °C, acc. to application	Depending on sealing material
Housing material	Brass	Brass
Spring material	Stainless steel	Stainless steel
Sealing material DW	FKM	<ul style="list-style-type: none"> • FKM • NBR on request
Sealing concept	Cone sealing	Cone sealing
Flow direction	B1 → B2	B1 → B2

Designs with other connection sizes, other operating pressures or NBR sealing material on request

Possible connection configurations

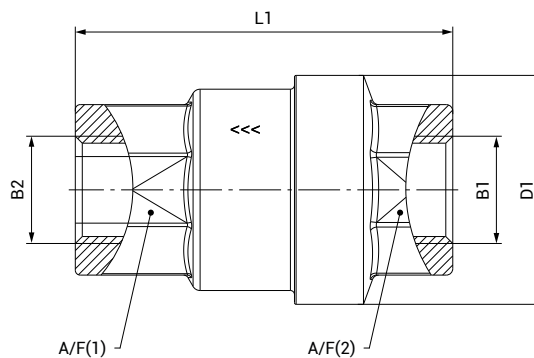
In addition to the table of technical characteristics (see above), the following possible connection configurations of check valves of the TVR61 product family are listed. The connection configuration is part of the product series.

Connection configuration	Media inlet B1	Media outlet B2
A02	Female thread	Female thread

» Product series TVR61-S1 | 0 up to 40 bar

Ordering | TVR61-S1-A02 - female thread on both sides

Inlet B1: female thread / outlet B2: female thread



approx. dimensions (mm)

B1 / B2: Whitworth tube thread acc. to DIN EN ISO 228-1

Connection size: media inlet B1 = media outlet B2

Check valves of the preferred variant space:

Part No.	B1	B2	DN	PS (bar)	PC (bar)	DW	L1	D1	A/F(1) / A/F(2)	AVL*
C1-89289	G1/4"	G1/4"	10	40	0.025	FKM	46.5	28	21	RM
C1-89290	G3/8"	G3/8"	10	40	0.025	FKM	46.5	28	21	RM
C1-89292	G1/2"	G1/2"	15	40	0.025	FKM	48	34	26	RM
C1-89293	G3/4"	G3/4"	20	30	0.025	FKM	59	41.5	32	RM
C1-89294	G1"	G1"	25	30	0.025	FKM	67	50	39	RM
C1-89295	G1 1/4"	G1 1/4"	32	25	0.025	FKM	76	60.5	49	RM
C1-89296	G1 1/2"	G1 1/2"	40	25	0.025	FKM	90	73.5	56	RM
C1-89297	G2"	G2"	50	20	0.025	FKM	101	89	69	RM

* AVL: availability see page 12

» Examples for special check valves

Check valves as individual as our customers.

WEH specializes in developing customer-tailored solutions. Here are some examples of customer-specific special solutions. This is just a small selection. Over the past few years we have developed many special solutions in cooperation with our customers. We also have the right solution for you too. Please contact us!

Flange valve



- Flange connection on both sides acc. to DIN 1092-1
- Materials: all stainless steel
- Sealing material: FFKM
- Cracking pressure: approx. 0.10 - 0.50 bar
- Nominal bore (DN): approx. 25 mm
- Other designs on request

Flange insert valve



- Customer specific flange connection
- Materials: Alloy C4
- Sealing material: metallic sealing
- Cracking pressure: approx. 0.025 bar
- Nominal bore (DN): approx. 25 mm
- Other designs on request

Cartridge check valve



- Inlet: UNF 1/4"-28 female thread
- Outlet: bore \varnothing 8 mm
- Materials: all stainless steel
- Sealing material: FFKM
- Cracking pressure: approx. 0.14 bar - 0.35 bar
- Nominal bore (DN): approx. 4 mm
- Other designs on request

Gas check valve



- UNF 1 3/8"-12 male thread on both sides
- Materials: brass, inner parts of stainless steel
- Sealing material: PEEK
- Cracking pressure: approx. 0.15 bar
- Nominal bore (DN): approx. 12 mm
- Other designs on request

» Other products

Other products of WEH Precision Connectors



Catalogue no. 35 - Connection solutions in general:

WEH® Connectors for pressure-tight connections in seconds to threads, beads, tubes, etc.



Catalogue no. 20 - Connection solutions for the gas industry:

WEH® Connectors for pressure-tight connections in seconds for gaseous applications



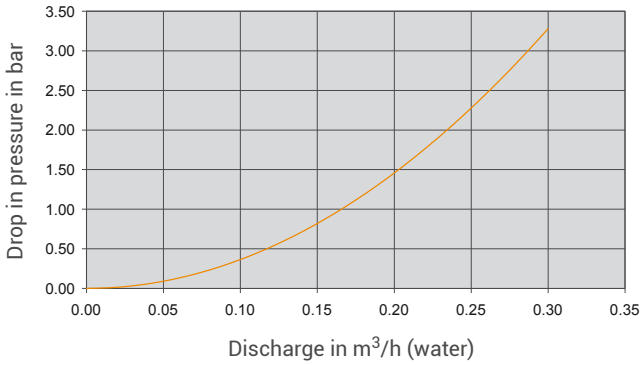
Catalogue no. 40 - Refrigeration and air conditioning:

WEH® Connectors for filling, evacuating and testing of refrigeration and air conditioning components

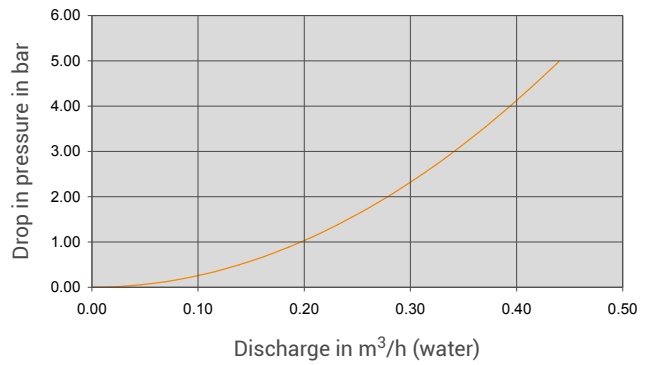
» Flow curves

The flow curves were determined on the basis of the DIN/EN 60534-2 standard and refer to a cavitation-free flow (water). System-sided constrictions at the inlet and outlet can reduce the flow rate.

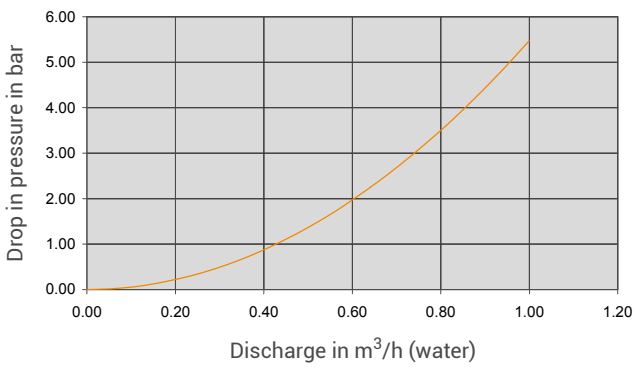
TVR200 (DN = 3 mm): $K_v = 0.17$ ($C_v = 0.19$)



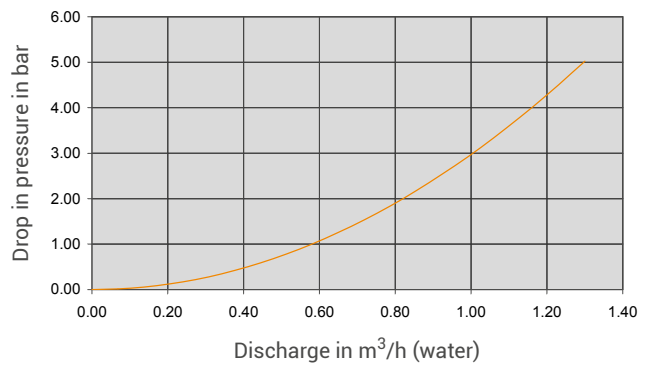
TVR200 (DN = 4 mm): $K_v = 0.2$ ($C_v = 0.2$)



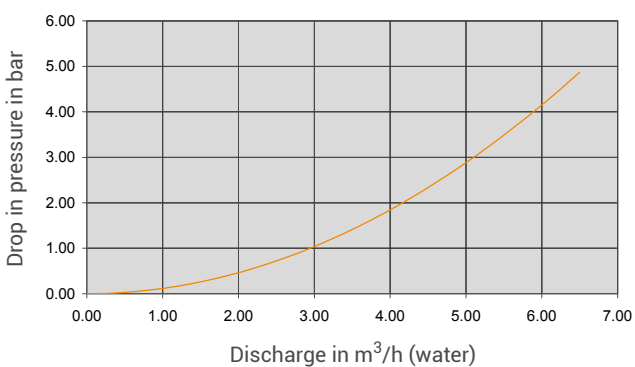
TVR200 (DN = 5 mm): $K_v = 0.4$ ($C_v = 0.5$)



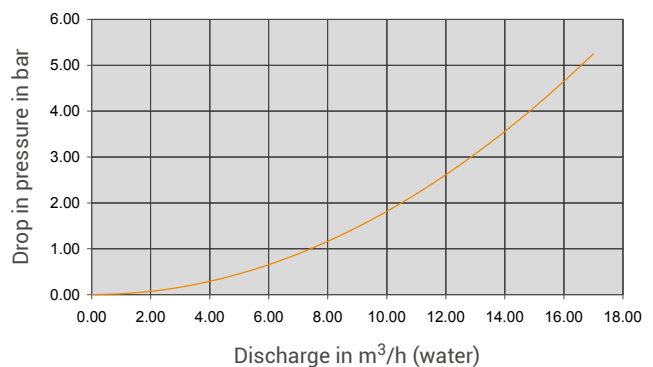
TVR200 (DN = 6 mm): $K_v = 0.6$ ($C_v = 0.7$)



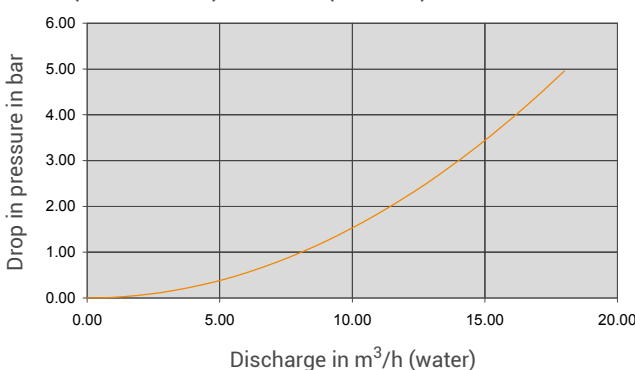
TVR2 (DN = 10 mm): $K_v = 3.0$ ($C_v = 3.4$)



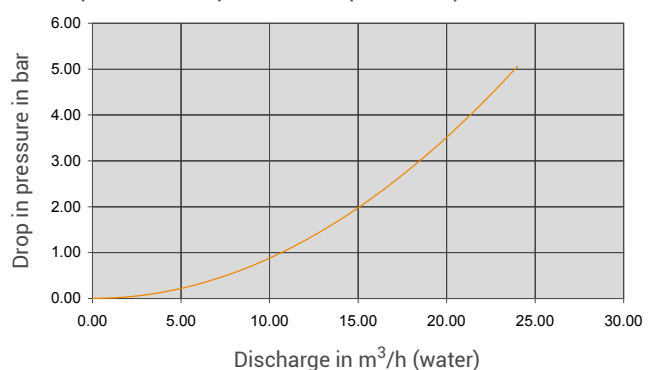
TVR2 (DN = 14 mm): $K_v = 7.4$ ($C_v = 8.6$)



TVR2 (DN = 16 mm): $K_v = 8.1$ ($C_v = 9.4$)

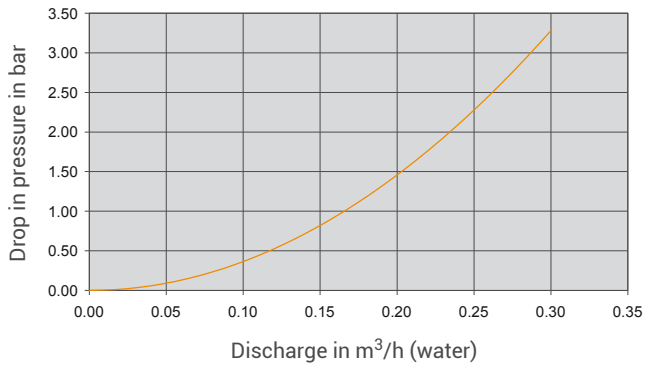


TVR2 (DN = 20 mm): $K_v = 10.7$ ($C_v = 12.4$)

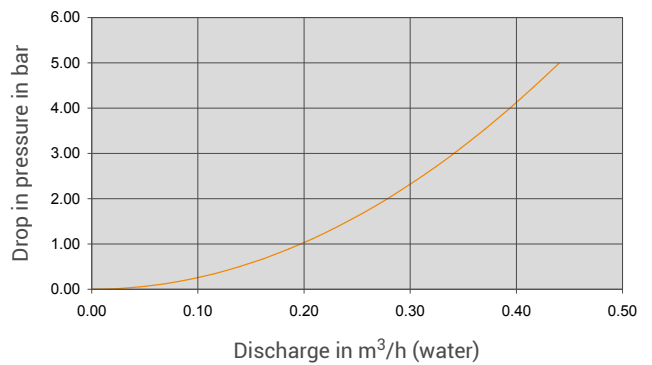


» Flow curves

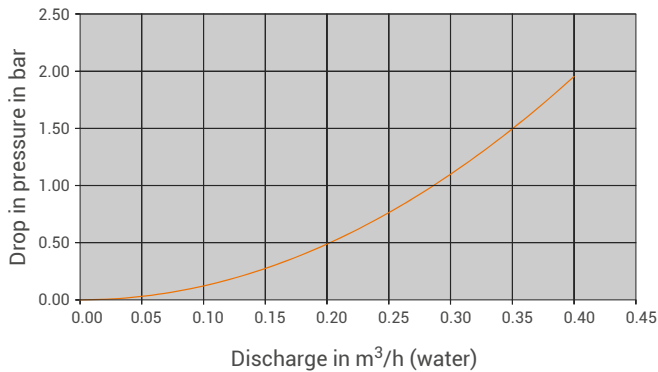
TVR300 (DN = 3 mm): Kv = 0.17 (Cv = 0.19)



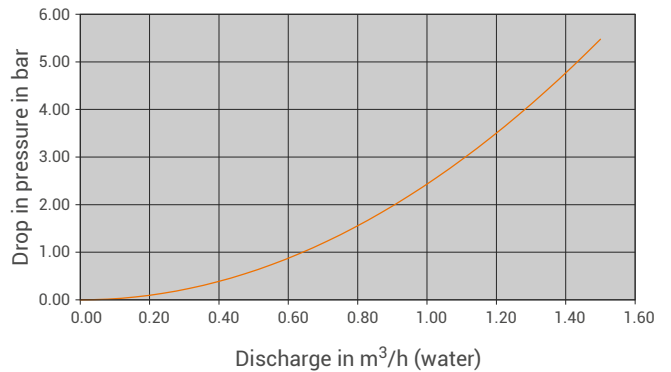
TVR300 (DN = 4 mm): Kv = 0.2 (Cv = 0.2)



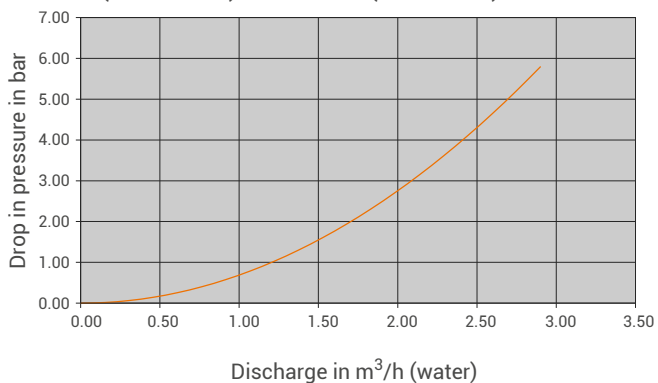
TVR400 (DN = 3.6 mm): Kv = 0.286 (Cv = 0.331)



TVR400 (DN = 6 mm): Kv = 0.640 (Cv = 0.743)



TVR400 (DN = 7 mm): Kv = 1.203 (Cv = 1.395)



» Technical appendix

Definitions

Abbreviation	Definition	
Pressure specifications	<i>(all pressure specifications are to be understood as overpressure, unless otherwise stated)</i>	
PN	Nominal pressure	Nominal pressure after temperature compensation at 15 °C (59 °F)
PS	Max. allowable operating pressure	Maximum allowable operating pressure acc. to Pressure Equipment Directive 2014/68/EU, Article 2 paragraph 8
PT	Hydrostatic test pressure	Hydrostatic test pressure acc. to Pressure Equipment Directive 2014/68/EU, Annex I no. 7.4
PP	Pilot pressure	Actuation pressure for hydraulic and pneumatic components
PC	Cracking pressure	Pressure at which the check valve opens and the first indication of flow occurs
WP	Working pressure	'Working pressure' means the maximum pressure to which a component is designed to be subjected to and which is the basis for determining the strength of the component under consideration
MAWP	Max. allowable working pressure	Max. allowable operating pressure at which the weakest point of the system or the vessel (e.g. cylinder valve) can operate at a certain temperature during normal operation
Dimensions		
L1, L2, L3 ...	Length specification	
D1, D2, D3 ...	Diameter specification	
A/F(1), A/F(2) ...	Wrench size specification	
Ports		
A / X	Customer-specific port (test piece, sample, cylinder valve, handwheel respiratory protective equipment)	
B1, B2, B3 ...	Media ports	
C1, C2, C3 ...	Gas recirculation ports	
P1, P2, P3 ...	Pilot pressure ports	
MA1, MA2 ...	Measuring ports	
Q	Drain port filter	
G	Mounting bores	
Others		
DN	Nominal size (DN) acc. to Pressure Equipment Directive 2014/68/EU, whereby the largest, pressurized diameter of the media or pilot pressure connections of the WEH® Device (A, B1, B2, B3 or C1, C2, C3 and P1, P2, P3) which faces the customer's pipe system, is relevant.	
µm	Max. diameter of the filtered particle	
Kv	Is the discharge of water in m ³ /h at a pressure drop of 1 bar (14.5 psi), acc. to DIN/EN 60534-2	
Cv	Is the discharge of water in gallons per minute at a pressure drop of 1 psi, acc. to DIN/EN 60534-2	
IR	Infrared data interface	
ENR	Exchangeable data interface (exchangeable nozzle receiver)	

» Technical appendix

Definitions

Abbreviation	Definition
TS	Maximum allowable temperature acc. to Pressure Equipment Directive 2014/68/EU, Article 2 paragraph 9
Breakaway force	Is the force range, in which the breakaway releases
NC	Normally closed (initial position of shut-off valve)
NO	Normally open (initial position of shut-off valve)

Technical explanations

Term	Definition
Temperature range	Is the temperature range in which the WEH® Product can be used. If no explicit information on medium and ambient temperature is given, this temperature range applies to both medium and environment.
Media temperature range	Is the temperature range of the medium used, which can flow through the WEH® Product (may change depending on the time of measurement).
Ambient temperature range	Is the temperature range of the environment in which the WEH® Product can be used.
Leak rate	Is the maximum external leak rate, which the WEH® Product exhibits in delivery condition.
Internal leak rate	The internal leak rate depends, among other things, on type of application, medium and pressure difference on the WEH® Product. On request it can be specified more precisely.
Max. side load	Is the max. allowable sum of all external forces that may act on the device under intended use. Note: External forces can affect the life time of WEH® Products and can cause damage. Tensile and transverse loads as well as vibrations and pressure impacts need to be considered, e.g. by user side measures such as on site mountings and similar. Therefore, lateral forces such as whipping hoses or other equipment must be avoided. WEH® Products should be installed in such a way, that lateral forces which could lead to leakage or damage can not occur. Special applications require a special consultation before selecting the product.
Products with pneumatic actuation	The customer has to ensure there is adequate axial movement when pneumatically actuated WEH® Products are used in automated systems, see maximum side load. Ideally the products should be mounted with a floating joint or introduced individually to prevent the possibly existing clamping jaws getting blocked or jammed in the thread of the test piece.
Sealing material	On request the WEH® Product can be adapted to customer specific applications regarding to the sealing materials used. The clarification of the media compatibility and suitability of the adapted WEH® Product for the final application is always the responsibility of the end user.
Corrosion resistant	WEH® Products are designed for use in temperate climate zones - with low levels of humidity and salinity in the air. An accelerated formation of rust or corrosion may occur at or near the sea. Therefore, reduce the inspection interval recommended for normal use and send in the WEH® Product for maintenance immediately if you notice increased soot, rust or corrosion.
Storage / life time of components	There are certain requirements for every WEH® Product. WEH® Products are generally products which may be subject to wear and fatigue during operation and depending on your individual application/use. For details - in particular regarding the corresponding minimum inspection and maintenance intervals – please refer to the respective operating instructions for the WEH® Product.

» Technical appendix

Further explanations

Subject	Definition
Technical data	Unless otherwise stated, the technical data in catalogs, data sheets and operating instructions are based on tests with nitrogen that are in the development phase or at the end of development. Leakage data are based on measurements with helium.
Intended use	For the intended use of WEH® Products, please refer to the respective operating instructions. The following applications are generally excluded for WEH® H ₂ and CNG products, unless these are expressly permitted in the operating instructions: <ul style="list-style-type: none"> • aerospace applications, e.g. in aircrafts • shipping applications • applications offshore and in littoral areas • applications within defense and weapons technology
Safe product selection	Our WEH® Products are designed to be operated by qualified professional users (insofar as WEH® Products are also designed to be operated by other users in individual cases, this is explicitly stated in the corresponding operating instructions). Please note that WEH does not know your system and therefore - also due to the large number of different potential applications of WEH® Products - cannot perform tests on all potential types of application. You alone are responsible for the selection, configuration and suitability of WEH® Products, especially according to the requirements of your system. Before purchasing WEH® Products, please particularly ensure that our products are compatible with your intended use, your performance data, your material and fluids, your system concept and your system limits according to our product specifications. Please also consider your technical and legal requirements for operation, handling and maintenance. The quality and safety of WEH® Products is our highest priority. For this reason, WEH® Products may not be used outside the specifications in the relevant data sheets and product descriptions. If you are not sure whether the WEH® Product is suitable for your system and intended use, please contact us in advance. We also strongly recommend that you refrain from using third-party spare parts or a combination of WEH® Products with unsuitable third-party products. You alone are responsible for reviewing the suitability of third-party products. WEH® Products and WEH® Spare parts comply with our quality and safety standards.
Explanation on the Pressure Equipment Directive	In general, WEH® Products with a maximum allowable operating pressure of more than 0.5 bar (PS) fall within the scope of application of the Pressure Equipment Directive 2014/68/EU, are generally classified as pressure accessories in accordance with Article 2 (5) of the same and are considered to be similar to piping. These WEH® Products may not be used as safety accessories. Furthermore, it is pointed out, that these WEH® Products are designed and placed on the market in accordance with the requirements of Article 4 (3) of the Pressure Equipment Directive 2014/68/EU. For some products a different classification and/or categorisation is required or can be conducted on request. In these cases, if legally required, a conformity assessment procedure in accordance with Annex III of the Pressure Equipment Directive 2014/68/EU can and will also be conducted and the conformity can be declared by means of an EU Declaration of Conformity in accordance with Annex IV of the Pressure Equipment Directive 2014/68/EU. In these cases, the EU Declaration of Conformity is enclosed with the product.
External change management	WEH reserves the right to update, optimise and adjust its products continuously. This may result in corresponding changes of the product. Customers will be informed proactively or unsolicited by WEH only in individual cases about product updates, product optimisations and/or product adaptations that have been carried out. You are free to contact WEH at any time to request information about any product updates, product optimisations and/or product adjustments.

» Brochure data

This catalog was created diligently and on the basis of decades of experience.

All information/recommendations in this catalog are non-binding and are particularly subject to possible deviations or changes. For any binding information/recommendations, please refer to the verified information/recommendations in our individual orders. Particularly, due to the wide range of possible applications of WEH® Products and the unknown parameters and operating conditions linked to them, the accuracy and/or completeness of the information/recommendations in this catalog cannot be guaranteed with respect to certain individual cases. In doing so, we would like to refer once again to the information/recommendations provided in individual orders.

The application limits indicated in this catalog (e.g. for pressure, temperature, etc.) are generally theoretical values determined in a test environment. As the concrete operating conditions could differ, we cannot ensure that these values apply to a specific customer application. During the practical use, you should particularly consider that the mutual influence of operational parameters could result in changes of the maximum values. Especially, in case of any unusual operating conditions, please contact WEH before using any WEH® Products. We therefore strongly recommend that you also require any necessary binding information/recommendations to be included by us in the individual orders.

Furthermore, we point out that we cannot assume any warranty or accept any responsibility for printing errors, incomplete information or misinterpretations. Illustrations and/or images are particularly provided for illustrative purposes only and may differ in some details from the actual product. Moreover, dimensions and other technical details in this catalog are non-binding information and are provided for illustrative purposes only. The product's exact form and design result exclusively from the specific individual order. In particular, certain information/recommendations in the catalog only become integral part of the contract if they have been expressly contractually agreed.

Only the latest version of our catalog and other product related documents is valid and applicable. Please ensure that you always use the latest catalog's and documents' versions. Please feel free to contact WEH at any time and request the latest versions.

Our General Terms and Conditions and the Agreement on Protection of Know-How and Quality Assurance shall apply to deliveries and other services, unless expressly agreed otherwise.

In principle, we do not accept the General Terms and Conditions of our customers or third parties. Thank you for your understanding.

Design and production

WEH GmbH Precision Connectors
Josef-Henle-Str. 1
89257 Illertissen / Germany

Phone: +49 7303 9609-0
E-Mail: sales@weh.com
Website: www.weh.com

More questions? – Great! Don't hesitate to contact our experts.